



# BuzziDonut

PRODUCT INFORMATION



*TASTY BY NAME AND TASTEFUL BY NATURE*

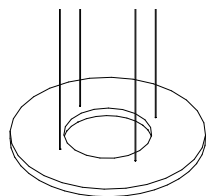
*A round, sound-insulating panel with a hole in the middle that gives it its tasty name. Tasty by name and tasteful by nature. A sleek round form with a space in the middle for lighting, to be covered with one of the specially-designed 3D prints available in all the colours of the BuzziSpace spectrum.*

*The BuzziDonut is a fine piece that does not just light up the room but improves the acoustic qualities of the space as well.*

*Design by BuzziSpace Design Team*

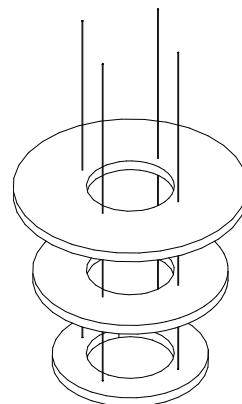


# BuzziDonut Content



BuzziDonut  
*Dimensions*

4  
5



BuzziDonut Stack  
*Example Setting*

9  
10

## Technical

*Fixing System Wall* 11

*Fixing Points* 12

*Light* 13

*Acoustic* 14

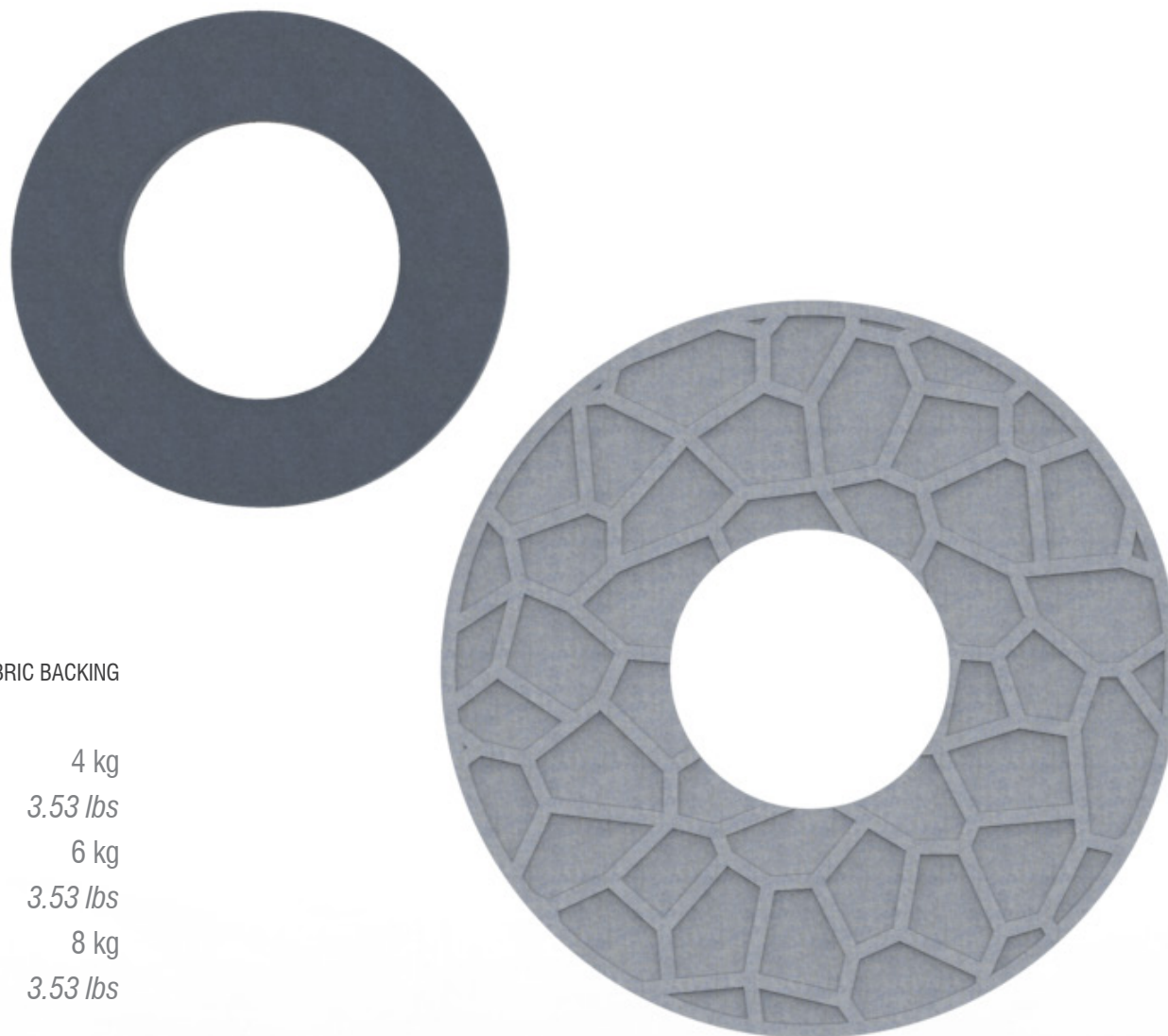


# BuzziDonut

## Composition

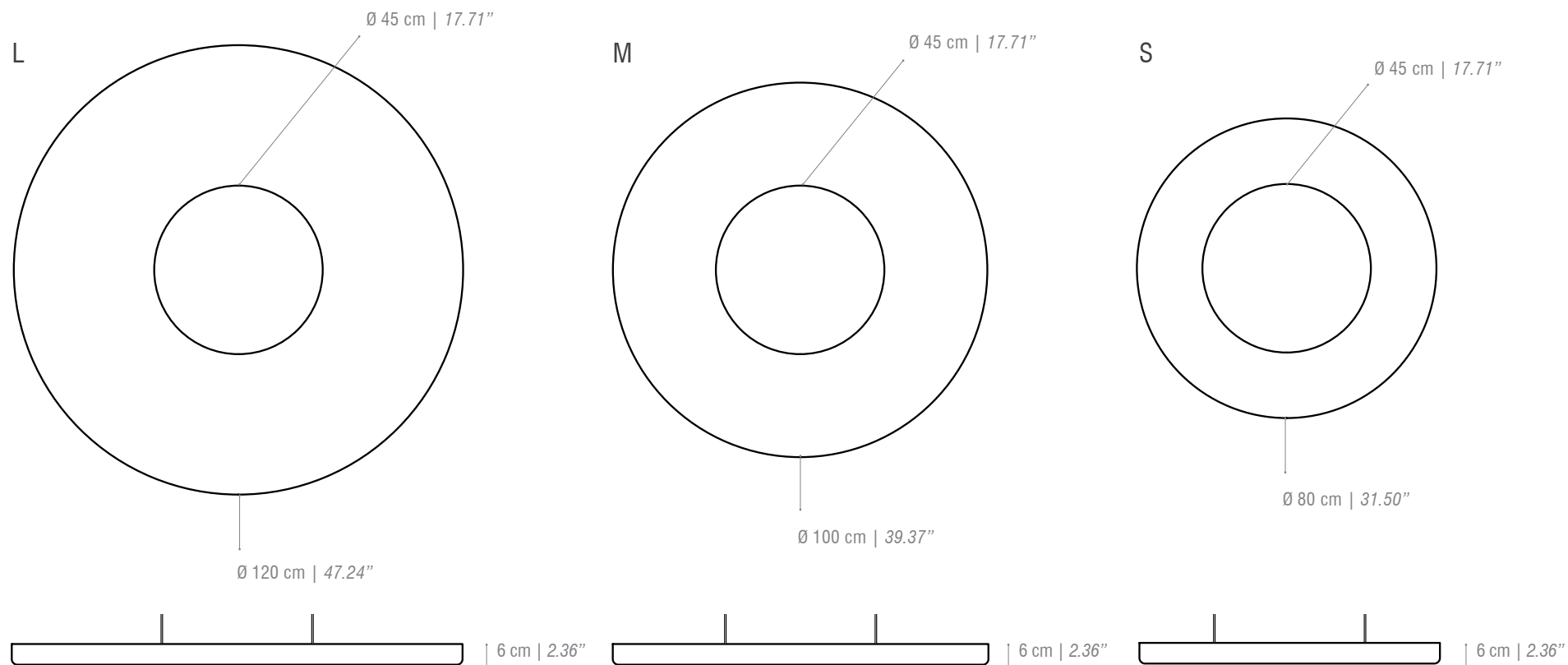
- FRAME • Honeycomb carton + MDF
- FILLING • CME35H foam
- COVER • BuzziFabric, BuzziRough, BuzziTerra
- PATTERN • Flat | 3D Rib | 3D Drop | 3D Leaf
- LIGHT • optional
- FIXING • Wall Version  
• Pendant Version

SIZE		THICKNESS	ANTISKID	FABRIC BACKING
<b>S</b>	80 cm Ø	6 cm	3,5 kg	4 kg
	31.50" Ø	2.36"	3.53 lbs	3.53 lbs
<b>M</b>	100 cm Ø	6cm	4,5 kg	6 kg
	39.37" Ø	2.36"	5.95 lbs	3.53 lbs
<b>L</b>	120 cm Ø	6cm	5,5 kg	8 kg
	47.24" Ø	2.36"	8.36 lbs	3.53 lbs



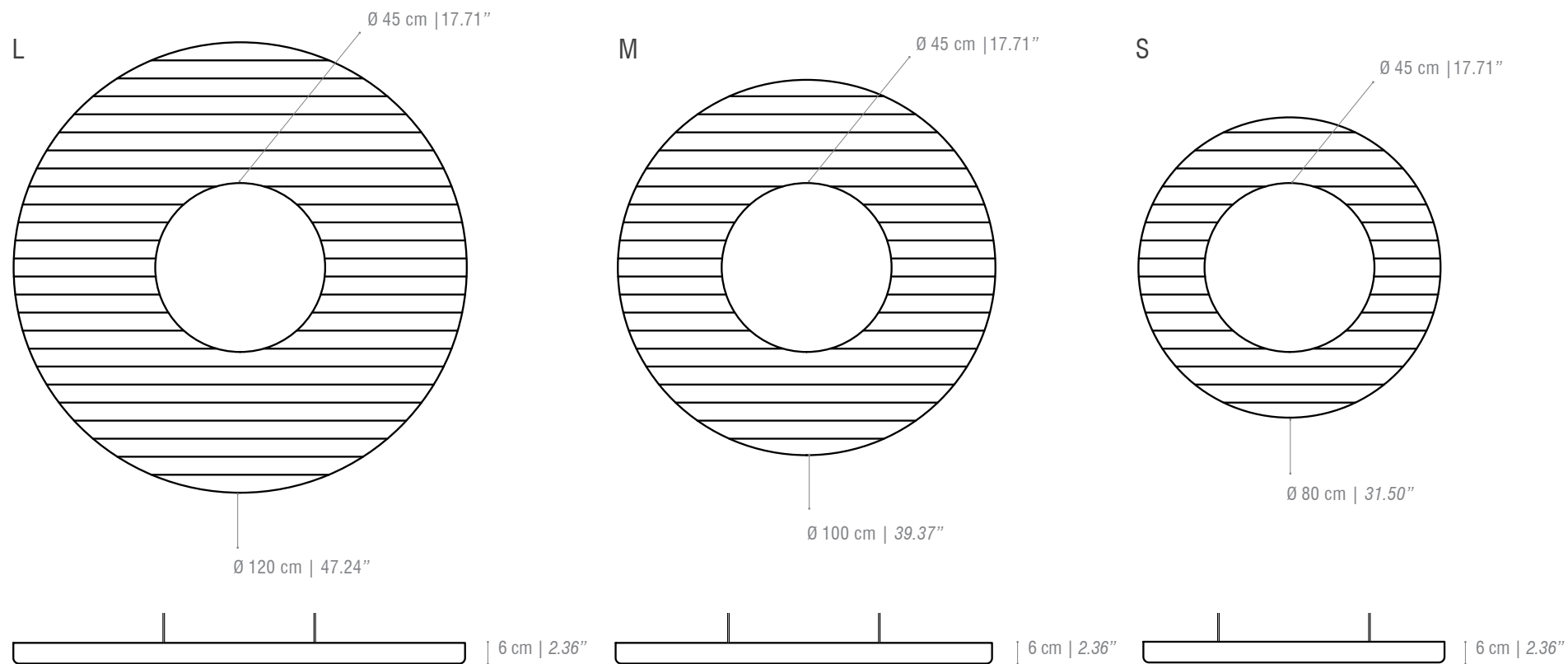
# BuzziDonut Flat

Dimensions



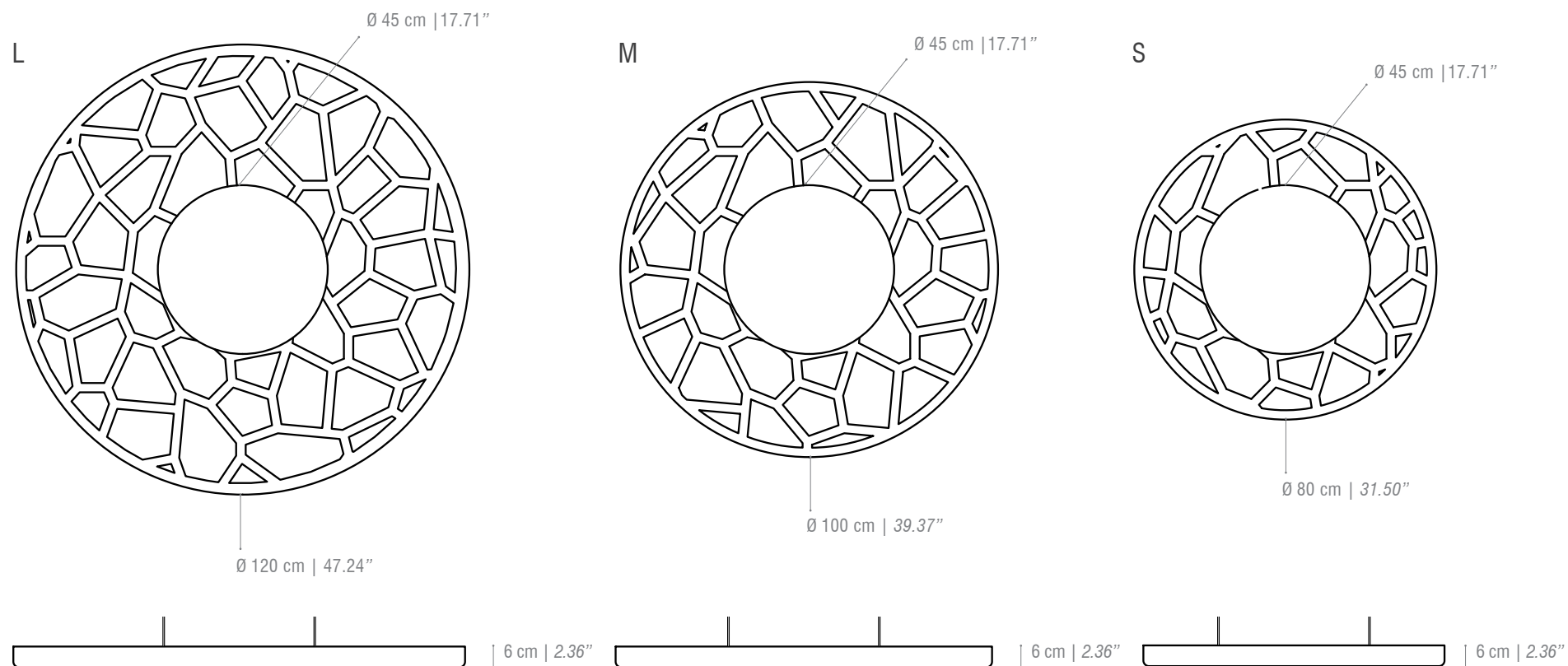
# BuzziDonut 3DRib

## Dimensions



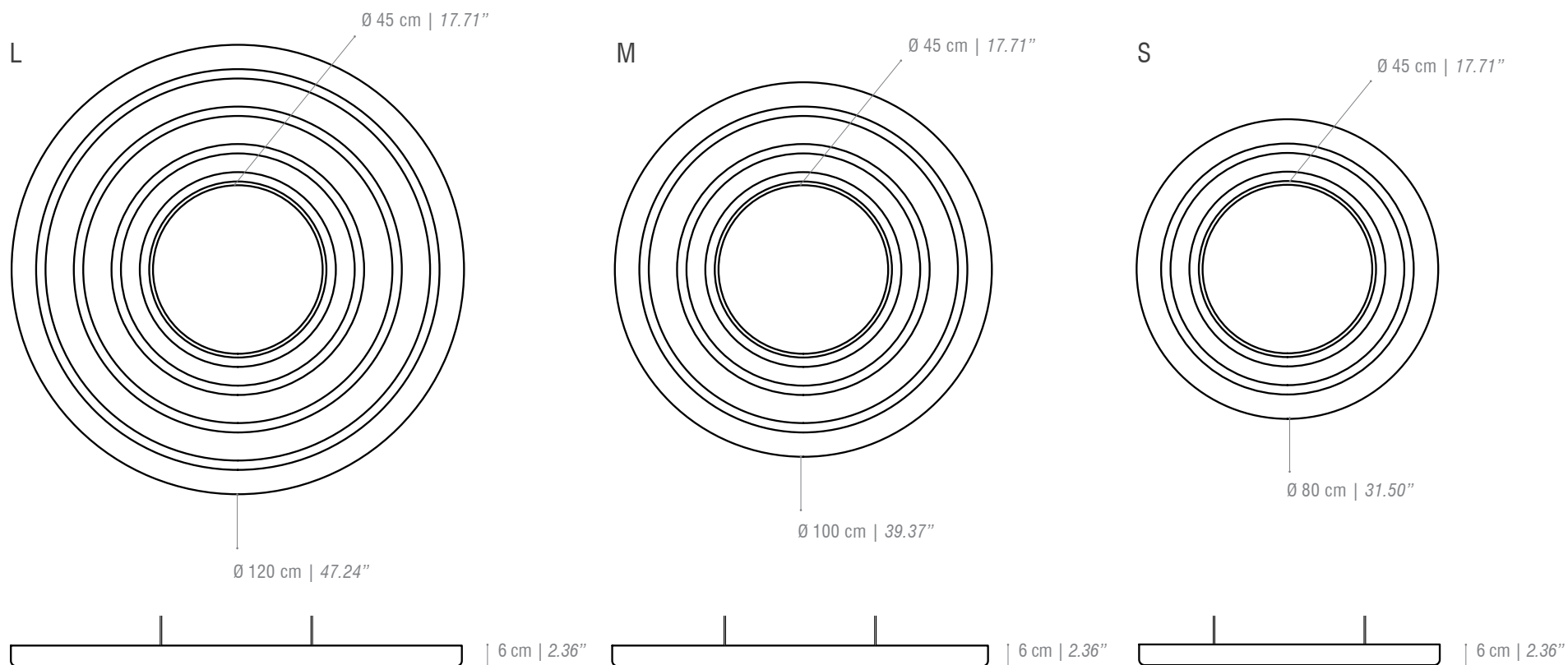
# BuzziDonut 3DLeave

## Dimensions



# BuzziDonut 3DDrop

## Dimensions





# BuzziDonut Stack

Composition



## 1. BOTTOM RING IS ALWAYS BUZZIDONUT

**SIZE** 80 / 100 / 120 cm | 31.5" / 39.37" / 47.24"  
**PATTERN** Flat / 3DRib / 3DLeaf / 3DDrop  
**LIGHT** optional  
**COVER** BuzziFabric, BuzziRough, BuzziTerra  
Upside Antiskid / Upside Covered (surcharge)  
**FIXING** Black Cables 2-5m | 78.74"- 196.85"  
Alu Cables 2-5m | 78.74"- 196.85"

## 2. EVERY RING ABOVE IS ALWAYS BUZZIDONUT STACK

*! Maximum 4 levels: BuzziDonut + 3 BuzziDonut Stacks*  
**SIZE** 80 / 100 / 120 cm | 31.5" / 39.37" / 47.24"  
**PATTERN** Flat / 3DRib / 3DLeaf / 3DDrop  
**COVER** BuzziFabric, BuzziRough, BuzziTerra  
Upside Antiskid / Upside Covered (surcharge)  
**FIXING** Always in combination with BuzziDonut.  
Fixing included with BuzziDonut.

## 3. DISTANCE BETWEEN DONUT AND DONUTSTACK

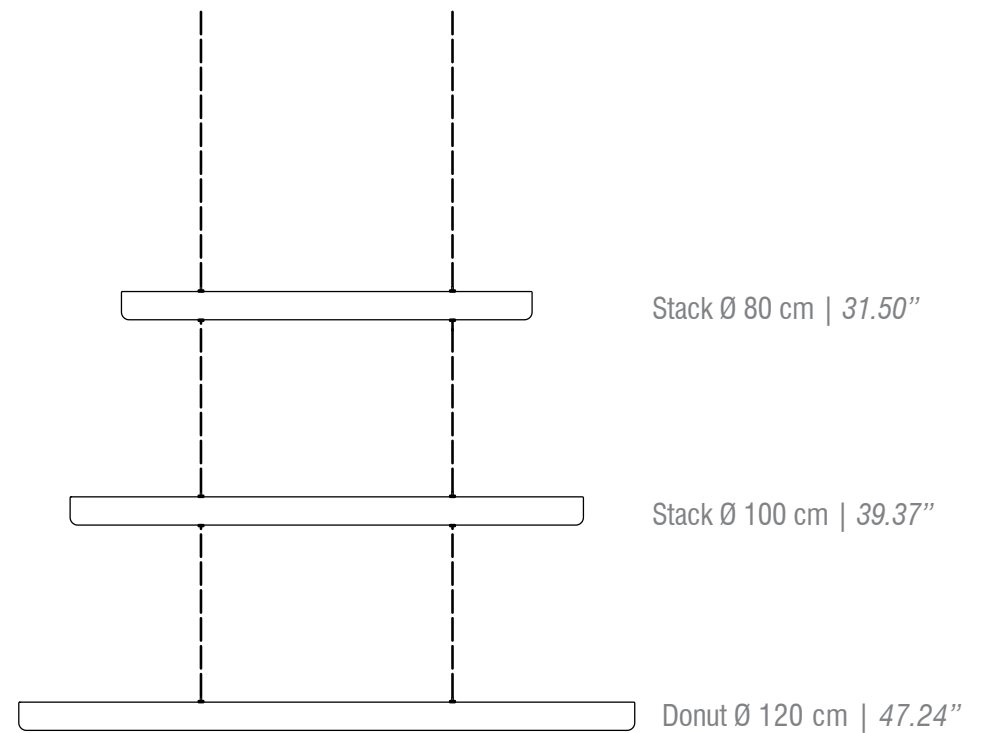
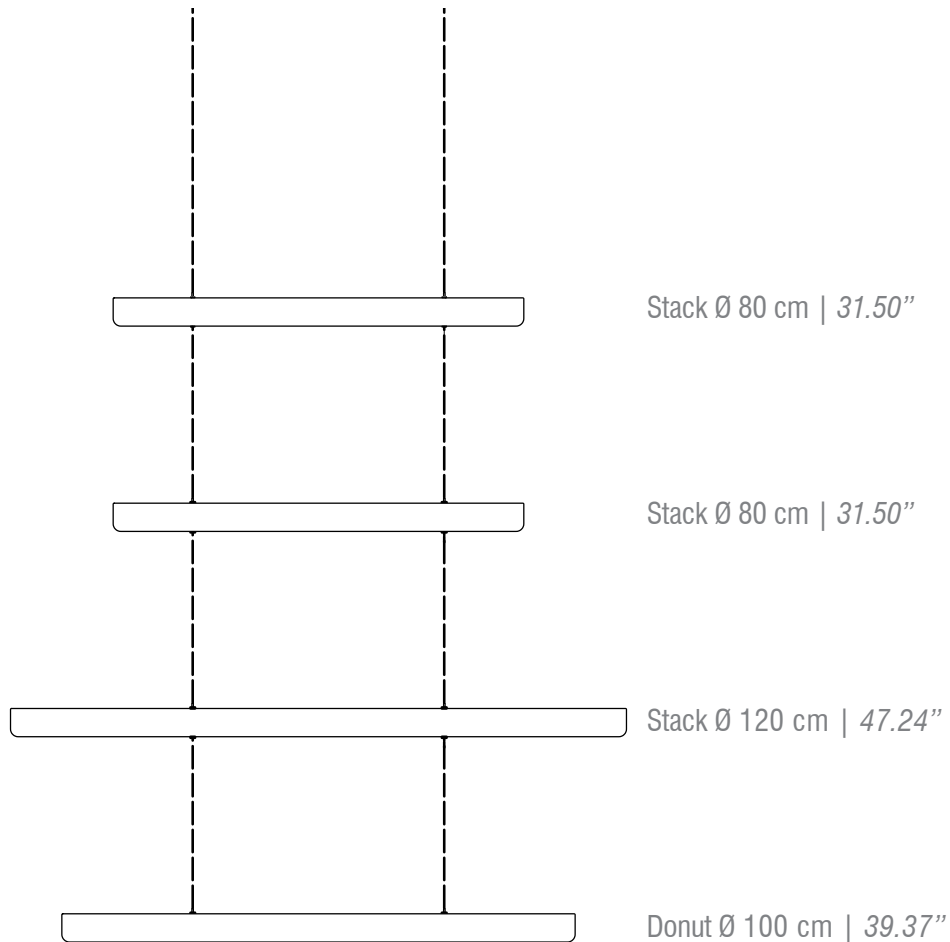
Because the wires run through each element without interruption, you can modify and adjust at all times. Each ring is packed separately.

1. Install cables
2. Slide over all Donut Stacks one by one
3. End chain with normal Donut

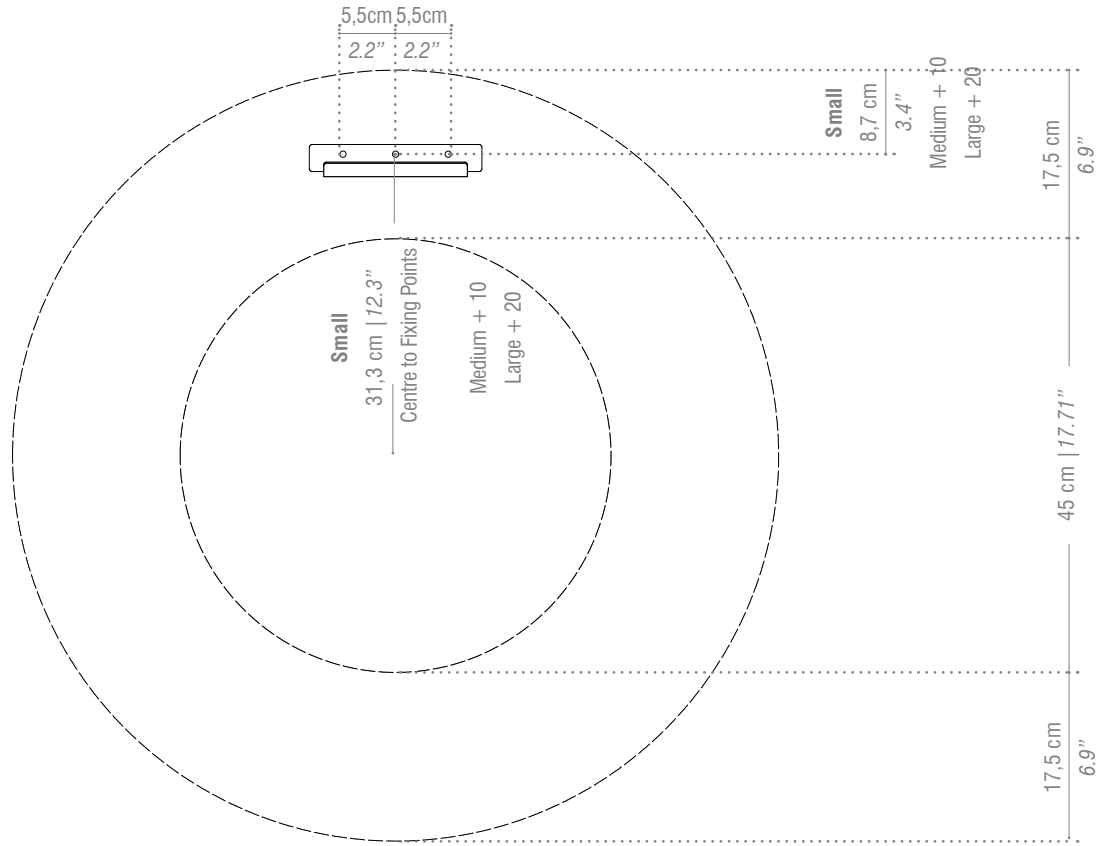


# BuzziDonut Stack

*Example Setting*

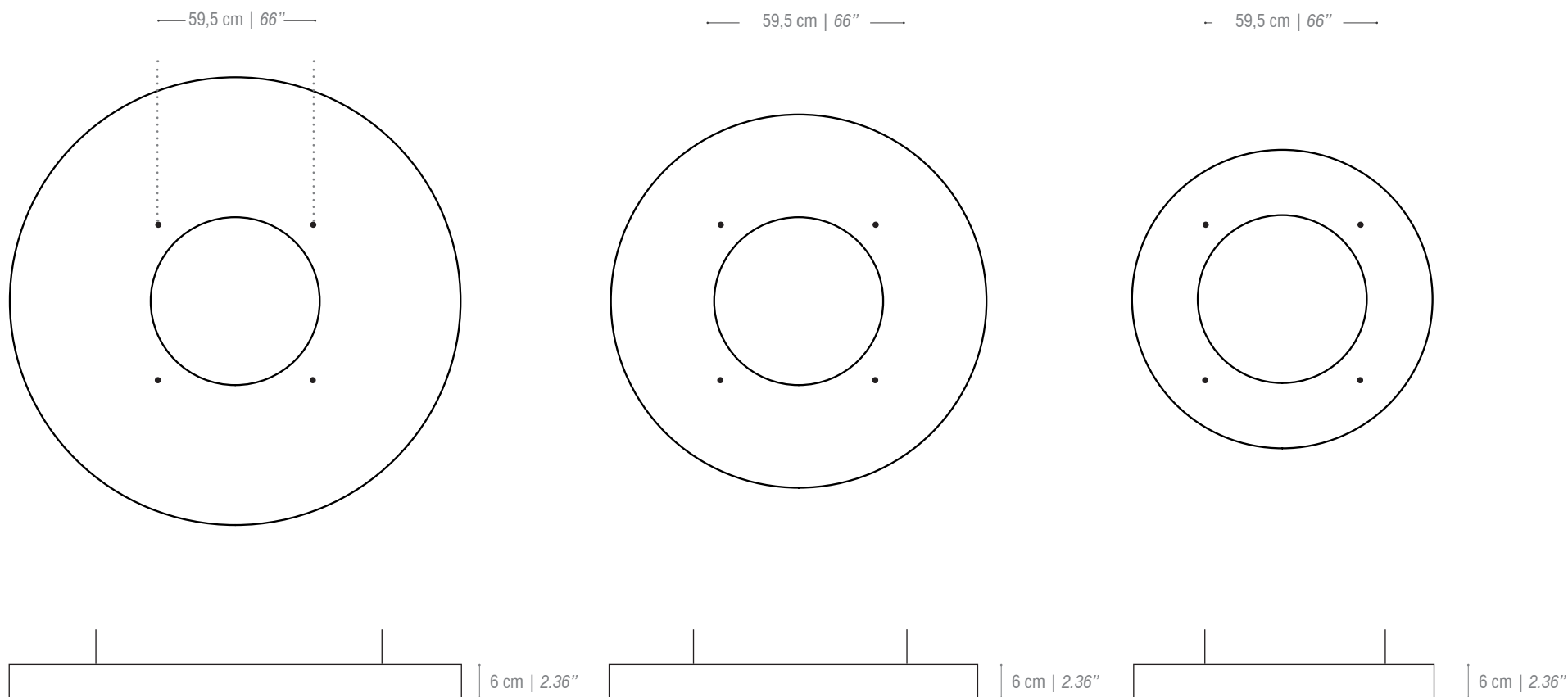


# BuzziDonut Fixing System Wall



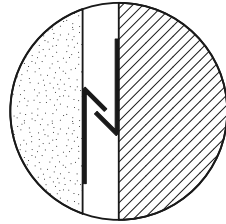
# BuzziDonut Fixing Points

Dimensions



# BuzziDonut Fixing Systems

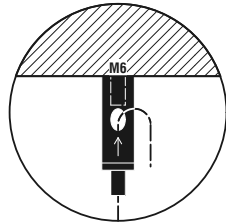
WALL



Fixing System Wall

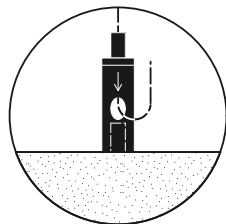
- Screws for wall not included
- One metal wall mount
- Three adjuster glides

CEILING



Fixing System Screw

- screws for ceiling not included, 2 stair bolts M6 needed
- Cables: 200 cm | 78.74"  $\varnothing$  1,5mm | 0.06"  
500 cm | 196.85"  $\varnothing$  1,5mm | 0.06"



# BuzziDonut Light Classification

## Overview

FINISHES	<ul style="list-style-type: none"><li>• White</li></ul>
MATERIALS	<ul style="list-style-type: none"><li>• ABS Shade / Polycarbonate lens assembly</li><li>Aluminum stem / ABS Canopy / Fabric cord</li><li>• Steel mounting hardware</li></ul>
FEATURES	<ul style="list-style-type: none"><li>• 360° shade rotation / 45° shade tilt</li><li>• Fully dimmable light source</li><li>• Glare-free illumination</li></ul>
BULB TYPE	<ul style="list-style-type: none"><li>• LED Flat - Panel</li></ul>
CERTIFICATIONS	<ul style="list-style-type: none"><li>• ETL, CE, PSE, RoHS</li></ul>
SPECIFICATIONS	<p><b>Power consumption:</b> 11W</p> <p><b>Voltage:</b> 120/220V 60Hz</p> <p><b>Color temperature:</b> 2700K</p> <p><b>Luminosity:</b> 526 Lumens</p> <p><b>Luminaire efficacy:</b> 48 Lumens/ Watt</p> <p><b>Color Rendition Index:</b> 85 CRI</p> <p>Title 20 compliant</p> <p>50K hour lifespan</p> <p><b>Cord length:</b> 304cm   10" field cuttable</p>

