

BuzziVille



BuzziVille | Content

COMPOSITION

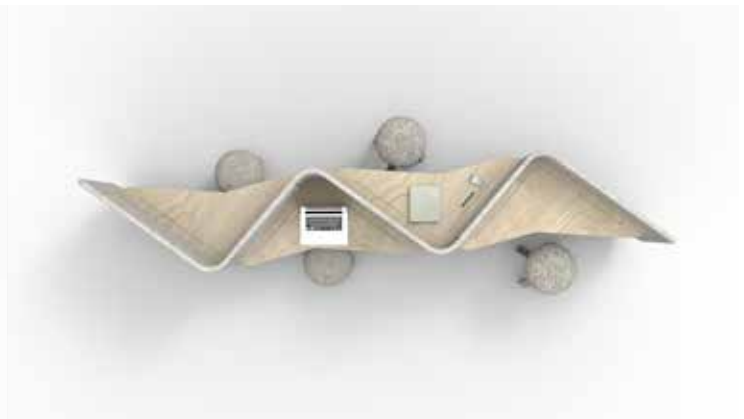
- walls:
 - poplar multiplex 18 mm | 0.71"
 - aluminium curves
 - foam CME35H + fabric on both sides
 - hooks for construction
- tablets & worktops:
 - Oak 20 mm | 0.79"
 - White Laminate (Birch multiplex) 20 mm | 0.79"
 - Ø 80 mm | Ø 31.15" cutouts for cables and monitor clamps
 - notch in the back of worktop (Ø 10 mm | Ø 0.39")
 - aluminium hooks for worktop-installation
 - worktop height at 75 cm | 29.53" (sitting) or 108 cm | 42.50" (standing)
- bench:
 - construction: metal
 - cover: foam C43170 + fabric
 - MDF 6 mm | 0.24"
 - poplar multiplex 18 mm | 0.71"

USE

- work- and meeting-spaces for open offices
- easy to install with hook-system
- create your personal BuzziVille by assembling wall systems; adding worktops, benches and tablets
- 3 modular sizes: Small / Medium / Large in 4 different heights: 120 / 135 / 150 / 180 cm | 47.24" / 53.15" / 59.06" / 70.87"

OPTION:

- aluminium hooks for worktop installation: black anodized (advised for darker colour finish)



BuzziVille | Different Elements | WALLS

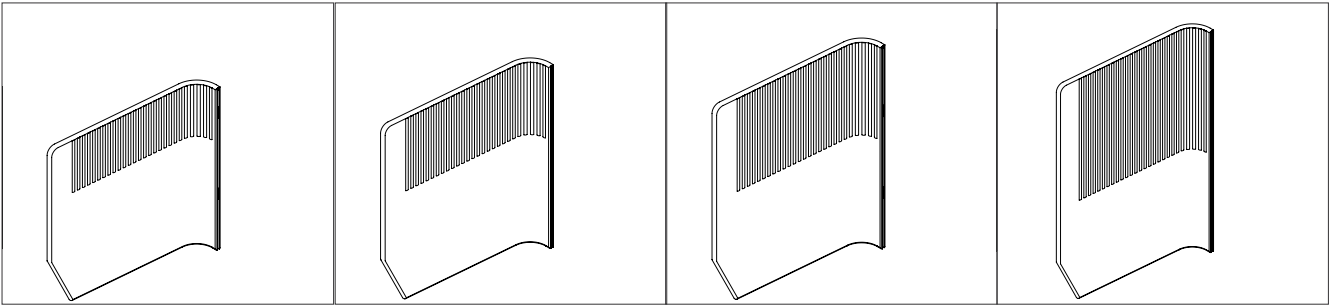
Start Stop Left - 120

Start Stop Left - 135

Start Stop Left - 150

Start Stop Left - 180

FLAT | 3D



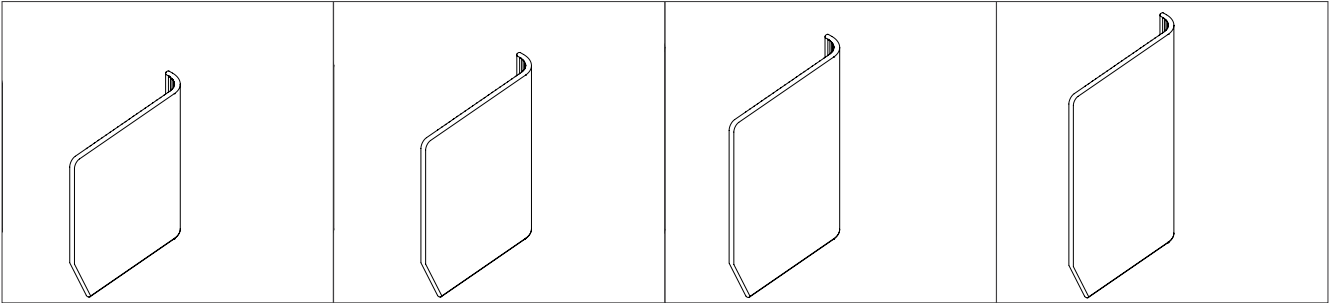
Start Stop Right - 120

Start Stop Right - 135

Start Stop Right - 150

Start Stop Right - 180

FLAT | 3D



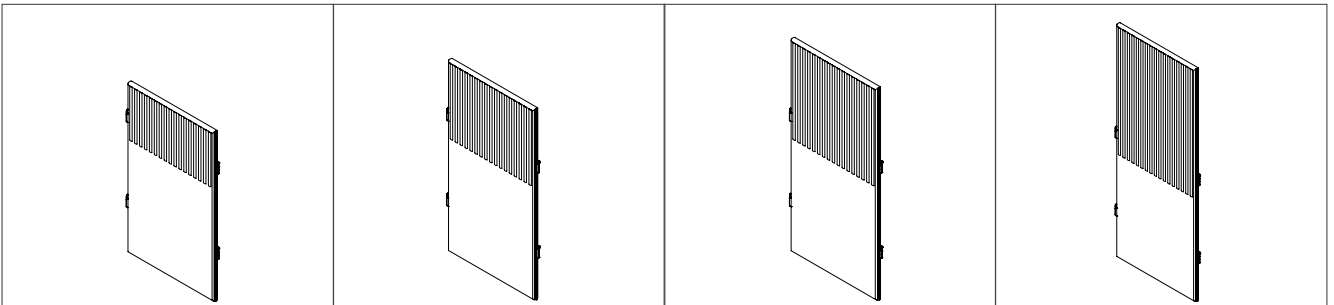
Mid Panel Small - 120

Mid Panel Small - 135

Mid Panel Small - 150

Mid Panel Small - 180

FLAT | 3D



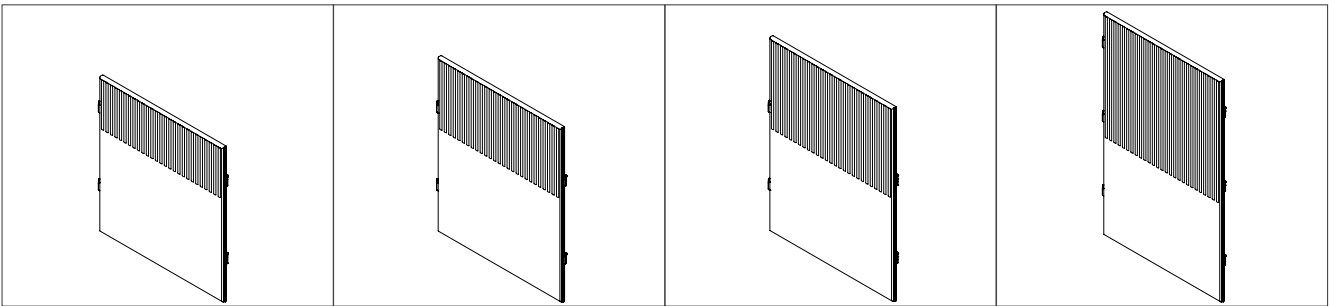
Mid Panel Medium - 120

Mid Panel Medium - 135

Mid Panel Medium - 150

Mid Panel Medium - 180

FLAT | 3D



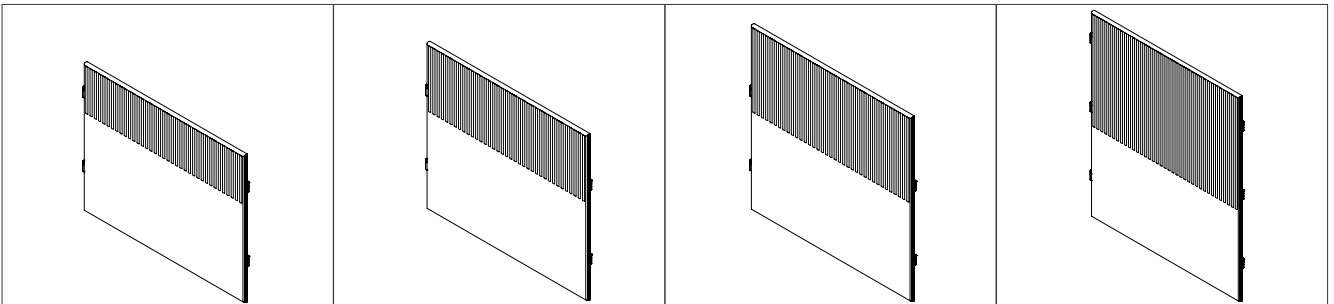
Mid Panel Large - 120

Mid Panel Large - 135

Mid Panel Large - 150

Mid Panel Large - 180

FLAT | 3D



BuzziVille | Different Elements | WALLS

Mid Panel Small Media - 120

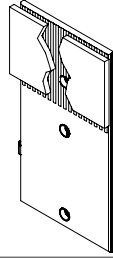
Mid Panel Small Media - 135

Mid Panel Small Media - 150

Mid Panel Small Media - 180

FLAT | 3D

(on request)



(on request)

(on request)

Mid Panel Medium Media - 120

Mid Panel Medium Media - 135

Mid Panel Medium Media - 150

Mid Panel Medium Media - 180

FLAT | 3D

(on request)

(on request)

(on request)

(on request)

Mid Panel Large Media - 120

Mid Panel Large Media - 135

Mid Panel Large Media - 150

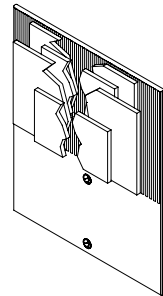
Mid Panel Large Media - 180

FLAT | 3D

(on request)

(on request)

(on request)



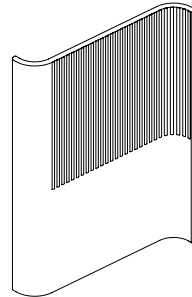
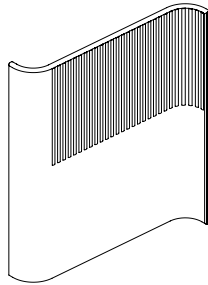
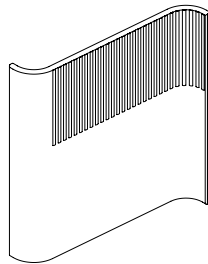
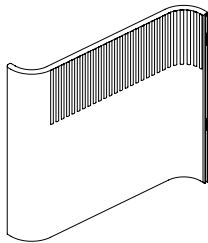
S-Connect Left - 120

S-Connect Left - 135

S-Connect Left - 150

S-Connect Left - 180

FLAT | 3D



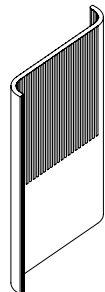
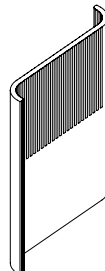
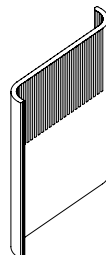
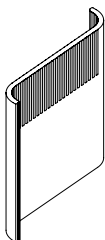
S-Connect Right - 120

S-Connect Right - 135

S-Connect Right - 150

S-Connect Right - 180

FLAT | 3D



BuzziVille | Different Elements | WALLS

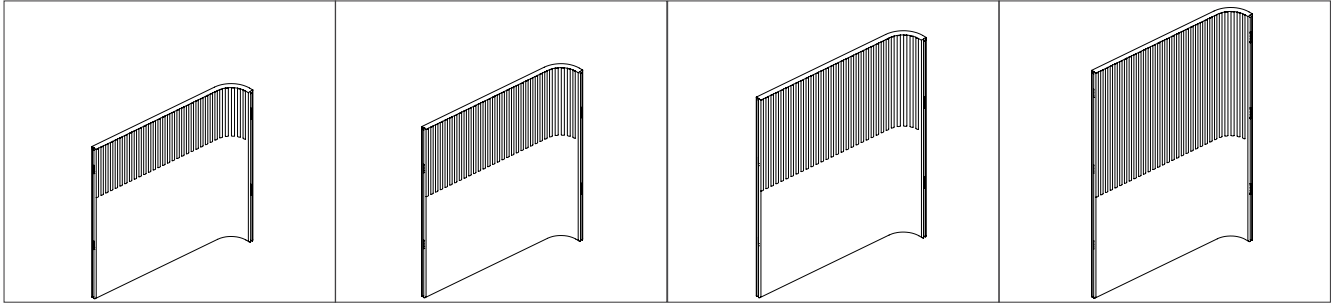
J-Connect Left - 120

J-Connect Left - 135

J-Connect Left - 150

J-Connect Left - 180

FLAT | 3D



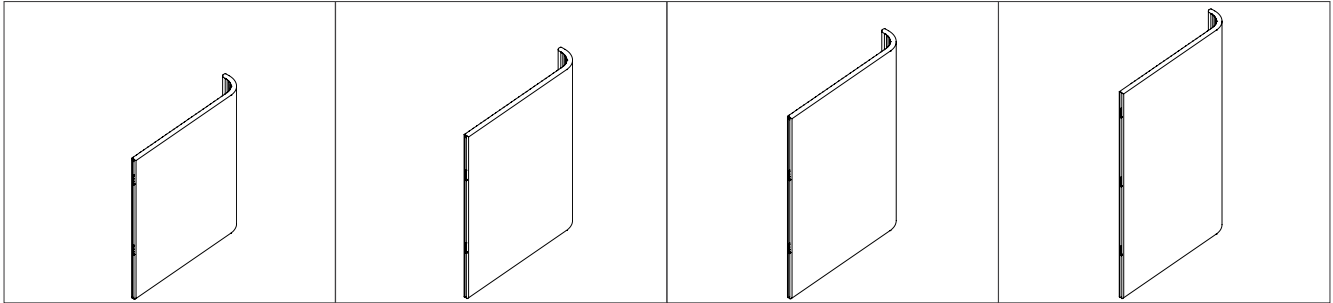
J-Connect Right - 120

J-Connect Right - 135

J-Connect Right - 150

J-Connect Right - 180

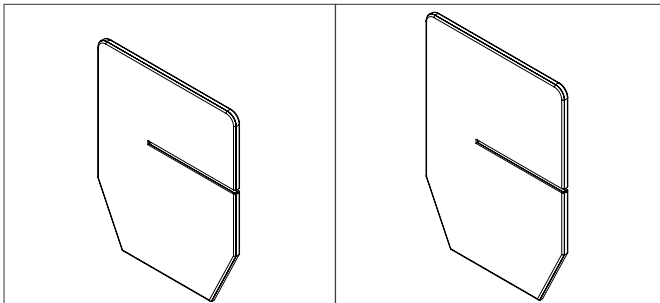
FLAT | 3D



Split Panel - 120

Split Panel - 135

FLAT



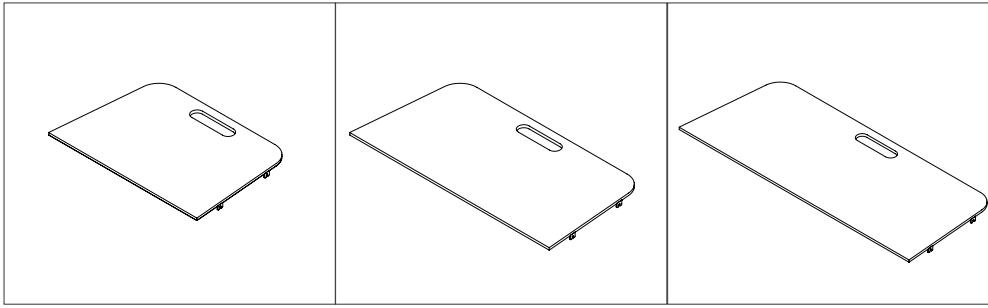
always in combination with Worktop Large Flat | Worktop Large Split

BuzziVille | Different Elements | WORKTOPS

Worktop Small

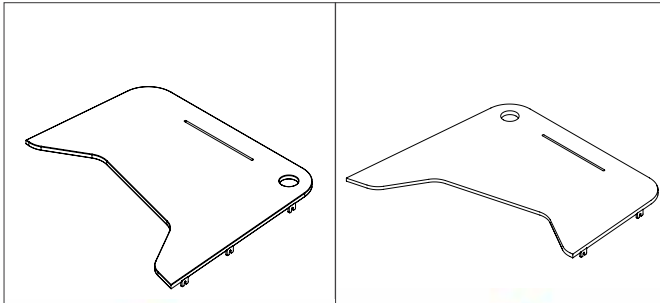
Worktop Medium

Worktop Large



Worktop Small Shape Right

Worktop Small Shape Left

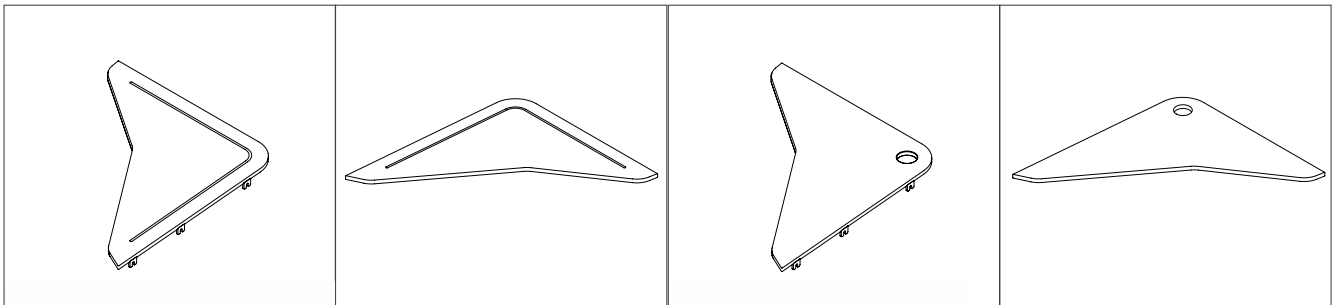


Worktop Small Triangle Right | notch

Worktop Small Triangle Left | notch

Worktop Small Triangle Right | cutout

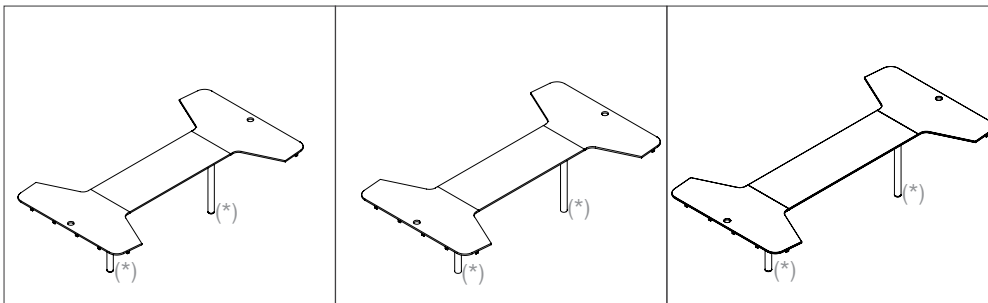
Worktop Small Triangle Left | cutout



Worktop Small | Cocoon

Worktop Medium | Cocoon

Worktop Large | Cocoon



always in combination with BuzziVille Support (*)

- Low: H 75 cm | 29.53"

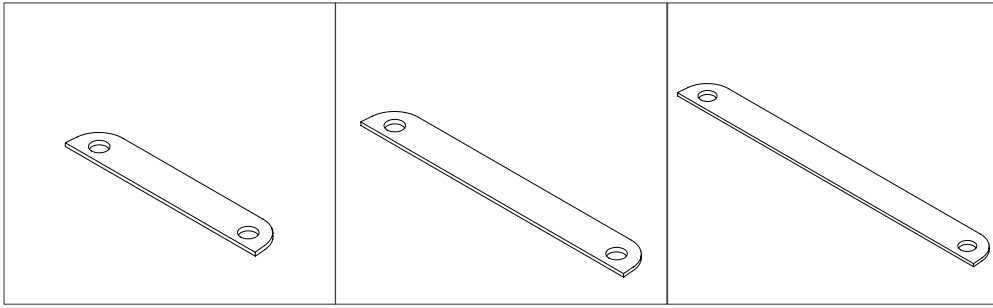
- High: H 108 cm | 42.52"

BuzziVille | Different Elements | TABLETS

Tablet Small

Tablet Medium

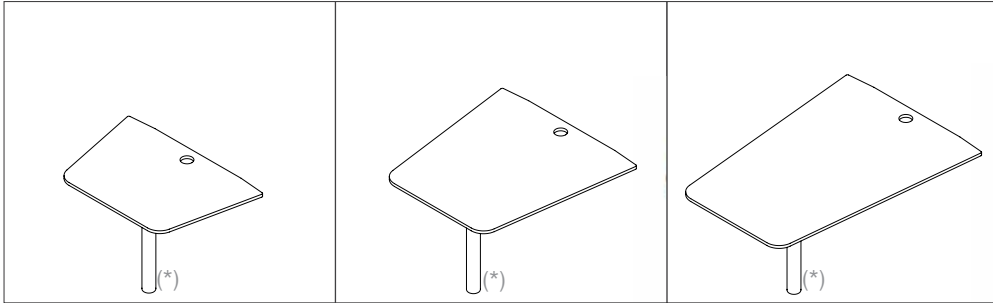
Tablet Large



Tablet Small | Club

Tablet Medium | Club

Tablet Large | Club



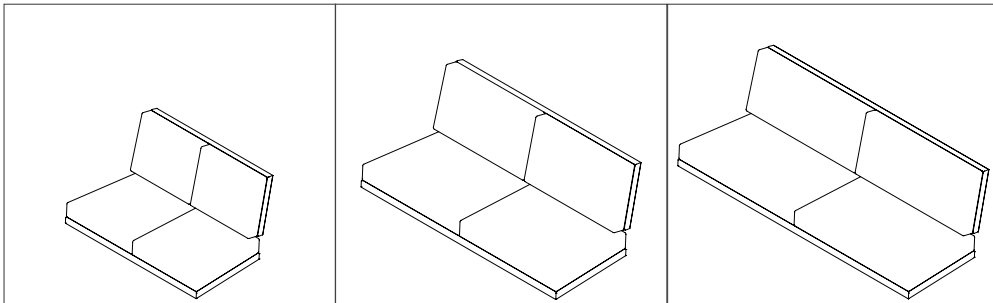
always in combination with BuzziVille Support (*)
Low: H 75 cm | 29.53"

BuzziVille | Different Elements | BENCHES

Bench Small

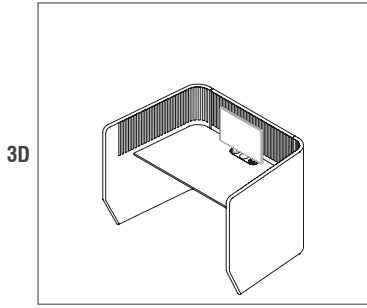
Bench Medium

Bench Large

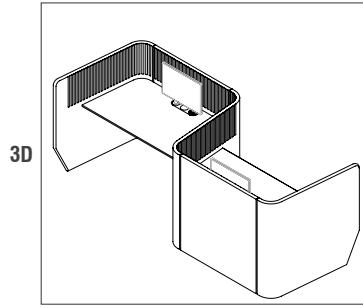


BuzziVille | Predefined Setups

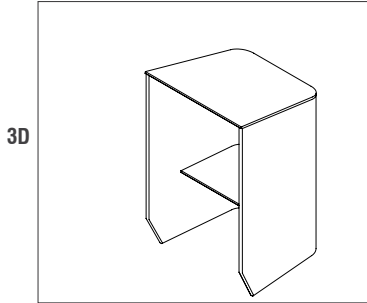
Work Solo



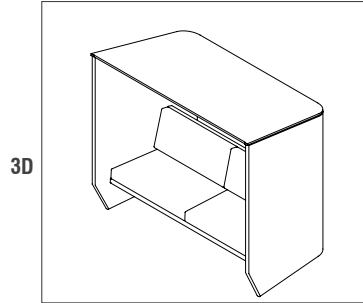
Work Duo



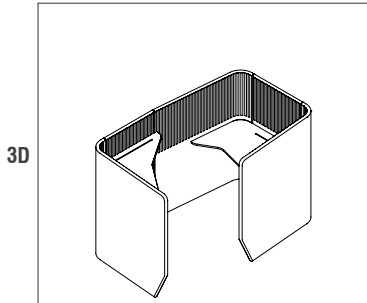
Booth Small | White Laminate + Light



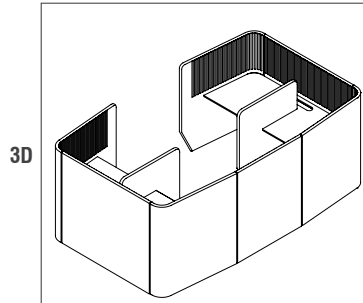
Hub Large | Bench + Light



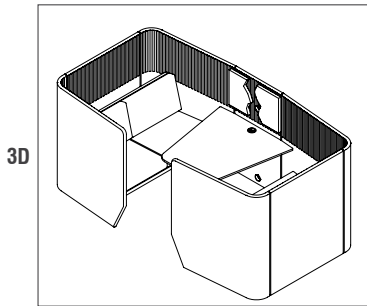
Focus Solo



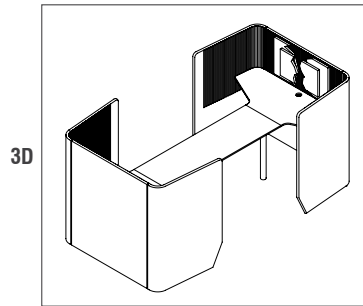
Team



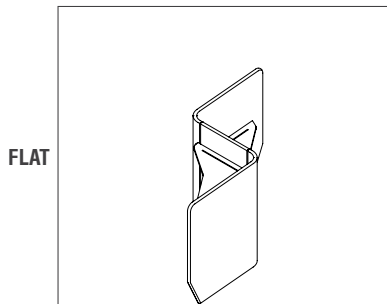
Club



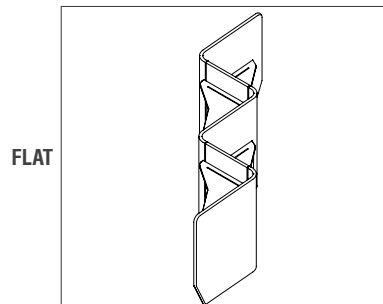
Cocoon



Snake Solo

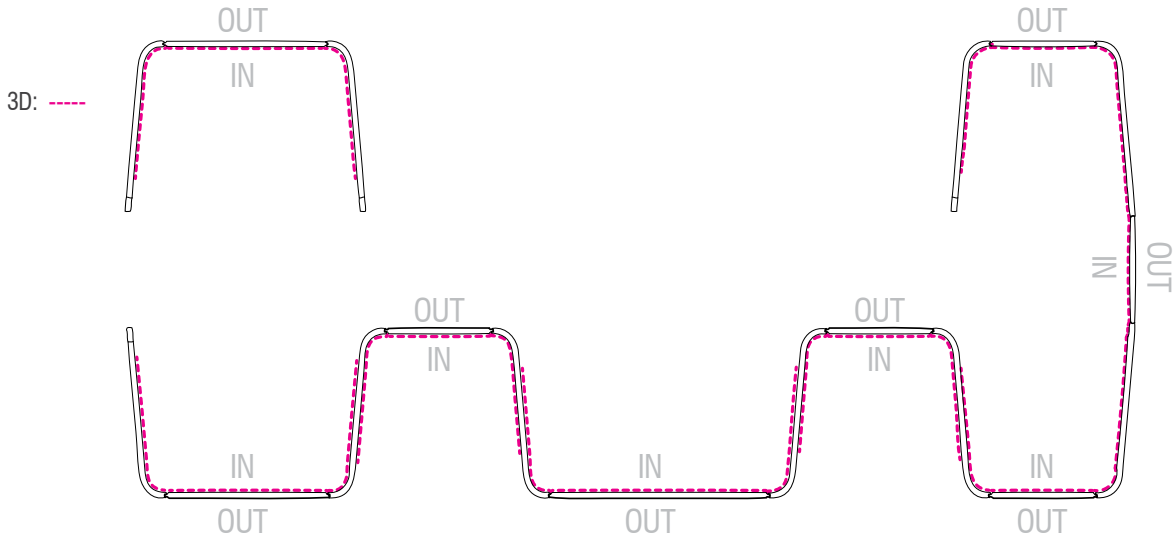


Snake Duo



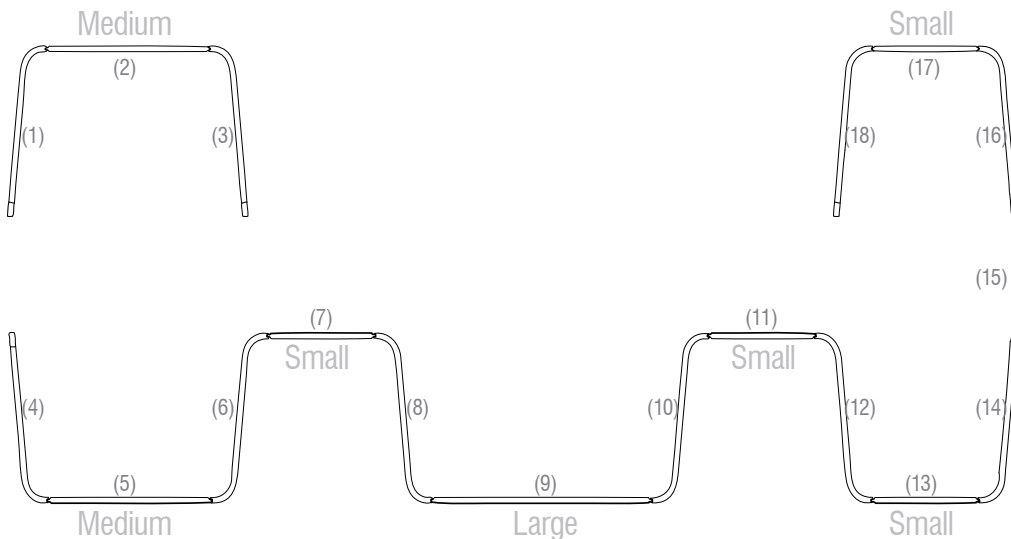
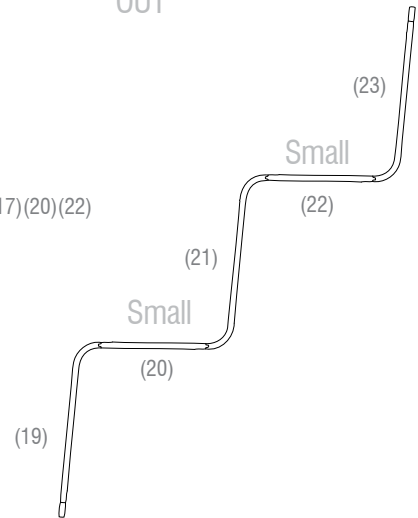
OPTIONS ! check your buzzi-architect for all possibilities!

- **STEP 1: choose the height:** 120 / 135 / 150 / 180 cm | 47.24" / 53.15" / 59.06" / 70.87"
- **STEP 2: choose the panel finish:**
 - BuzziFabric possible for all heights
 - BuzziRough possible for all heights
 - BuzziTerra only possible for height: H: 120 cm | 47.24"
- **STEP 3: choose the version:** flat or 3D (vertical ribs on the inside)



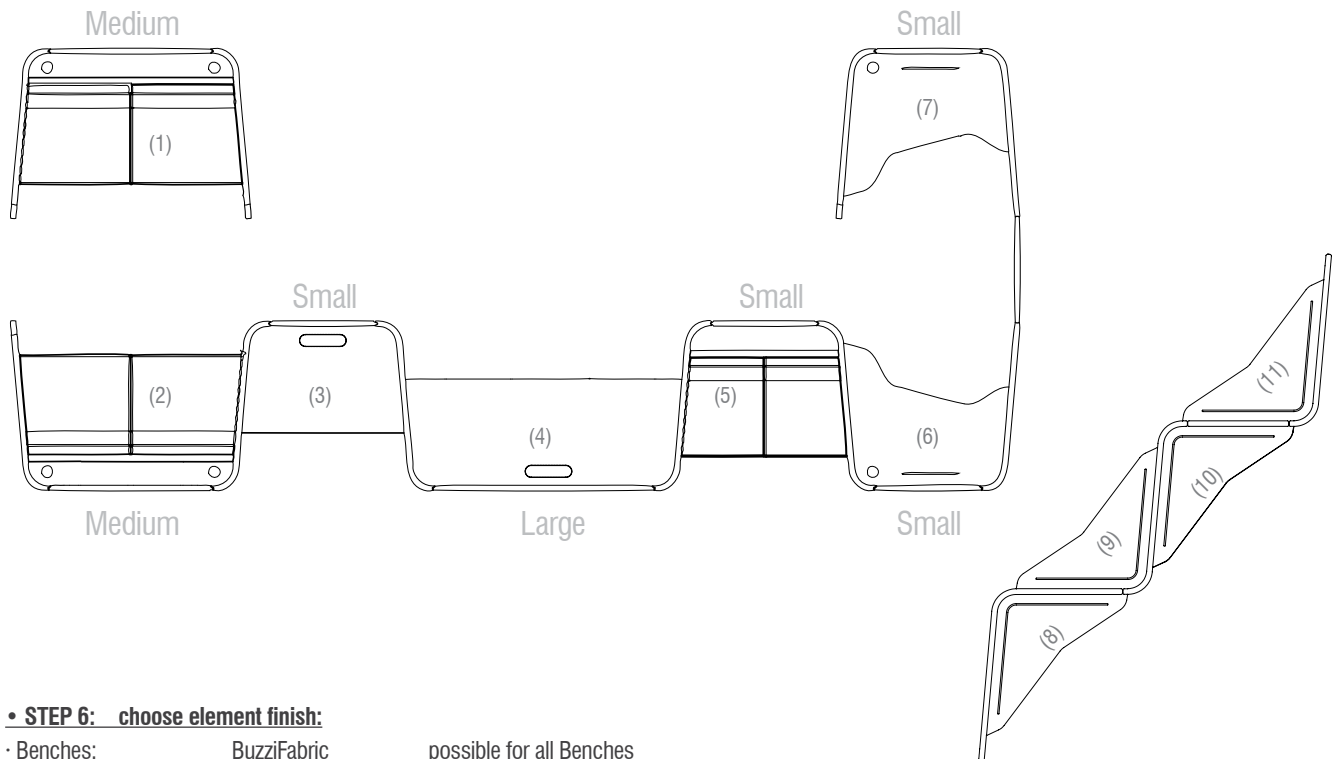
STEP 4: pick out the wall systems you need to create your BuzziVille-design:

| | | |
|--------------------|---|-----------------------------|
| • Start Stop Left | H: 120 / 135 / 150 / 180 cm 47.24" / 53.15" / 59.06" / 70.87" | (1)(18)(19)(23) |
| • Start Stop Right | H: 120 / 135 / 150 / 180 cm 47.24" / 53.15" / 59.06" / 70.87" | (3)(4) |
| • Mid Panel S | H: 120 / 135 / 150 / 180 cm 47.24" / 53.15" / 59.06" / 70.87" | (7)(11)(13)(15)(17)(20)(22) |
| • Mid Panel M | H: 120 / 135 / 150 / 180 cm 47.24" / 53.15" / 59.06" / 70.87" | (2)(5) |
| • Mid Panel L | H: 120 / 135 / 150 / 180 cm 47.24" / 53.15" / 59.06" / 70.87" | (9) |
| • S-Connect Left | H: 120 / 135 / 150 / 180 cm 47.24" / 53.15" / 59.06" / 70.87" | (6)(10)(21) |
| • S-Connect Right | H: 120 / 135 / 150 / 180 cm 47.24" / 53.15" / 59.06" / 70.87" | (8)(12) |
| • J-Connect Left | H: 120 / 135 / 150 / 180 cm 47.24" / 53.15" / 59.06" / 70.87" | (14) |
| • J-Connect Right | H: 120 / 135 / 150 / 180 cm 47.24" / 53.15" / 59.06" / 70.87" | (16) |



• **STEP 5: pick out the complementary elements:**

| | | | | |
|-----------|--------------------|---|--|--|
| • SMALL: | Bench | · bench (standard) · bench + tablet · bench + lighting (5) | BE: TL light 230 V 13 W US: TL light 110 V 13 W UK: BE light + UK converter plug | |
| | Worktop | · standard: 1 cutout 80 x 240 mm 31.15 x 9.45" in middle · shape R: 1 cutout Ø 80 mm Ø 31.15" in right corner + notch · shape L: 1 cutout Ø 80 mm Ø 31.15" in left corner + notch · triangular L: notch cutout Ø 80 mm Ø 31.15" · triangular R: notch cutout Ø 80 mm Ø 31.15" | | H 75 / 108 cm H 29.53" / 42.50" (3) H 75 / 108 cm H 29.53" / 42.50" (6) H 75 / 108 cm H 29.53" / 42.50" (7) H 75 / 108 cm H 29.53" / 42.50" (8)(9)(10)(11) H 75 / 108 cm H 29.53" / 42.50" |
| • MEDIUM: | Bench | · bench (standard) · bench + tablet (1)(2) · bench + lighting | BE: TL light 230 V 28 W US: TL light 110 V 28 W UK: BE light + UK converter plug | |
| | Worktop | · standard: 1 cutout 80 x 240 mm 31.15 x 9.45" in middle | | H 75 / 108 cm H 29.53" / 42.50" |
| • LARGE: | Bench | · bench (standard) · bench + tablet · bench + lighting | BE: TL light 230 V 28 W US: TL light 110 V 28 W UK: BE light + UK converter plug | |
| | Worktop | · standard: 1 cutout 80 x 240 mm 31.15 x 9.45" in middle | | H 75 / 108 cm H 29.53" / 42.50" (4) |
| | Split Panel | · standard: (only in combination with Worktop Large at H 75 H 29.53") | | H: 120 / 135 47.24" / 53.15" |



• **STEP 6: choose element finish:**

| | | |
|-----------------------|----------------|---|
| • Benches: | BuzziFabric | possible for all Benches |
| | BuzziRough | possible for all Benches |
| | BuzziTerra | possible for all Benches |
| • Worktops & Tablets: | OAK | possible for all worktops and tablets (with cut-out and notch) |
| | WHITE Laminate | possible for all worktops and tablets (with cut-out but no notch) |

BuzziVille | Ratings

| | | |
|-----------------|--------------|--|
| · Flammability: | BuzziTerra: | CRIB 5 CAL 117 PASS |
| | BuzziFabric: | EN 1021.1/2006 BS EN 1021.1/2006 (cigarette) EN 1021.2/2006 BS EN 1021.2/2006 (match) CAL TB 117 |
| | BuzziRough: | EN 1021.1/2006 BS EN 1021.1/2006 (cigarette) DIN 4102 - B1 |
| | Foam CME35H: | California Test TB 117 – Al en DII BS 5852 – Crib 5 NF P 92 504 – M4 |
| | Foam C43170: | MVSS 302 MOD1 EASA CS25.853(a) BS 5852 part2 Crib 5 |

· Light:

VERSION SMALL:

TL light | 230 V | 13 W

VERSION MEDIUM | LARGE:

TL light | 230 V | 28 W

BE:

CE : class II
EN 60598-1:2008 + A11:2009
EN 60598-2-1:1989

EC conform:

UNE-EN 55015:2007 + A1:2008
+ A2:2009
UNE-EN 61000-3-2:2006 + A1:2010 + A2:2010
UNE-EN 61000-3-3:2009
UNE-EN 61547:2011
UNE-EN 60598-1:2009 + A11:2009
UNE-EN 60598-2-1:1993

US:

CE conform:
EN 60596-1:2008 + A11:2009
EN 60598-2-1:1989
EN 55015:2006 + A1:2007 + A2:2009
EN 61000-3-3:2008
EN 61547:2009
EN 61000-3-2:2006 + A1:2009 + A2:2009

UL certificated

UK:

BE Light + UK Converter plug BS1363-5
BS1362

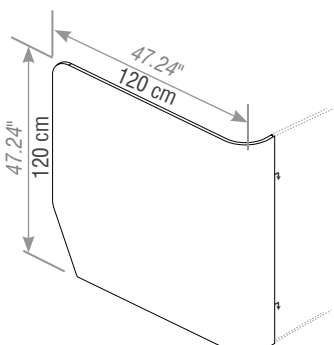
BE Light + UK Converter plug BS1363-5
BS1362

Questions? Don't hesitate to contact your local agent or distributor

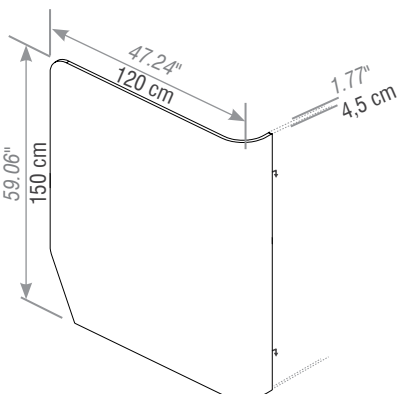


BuzziVille | Dimensions & Weight

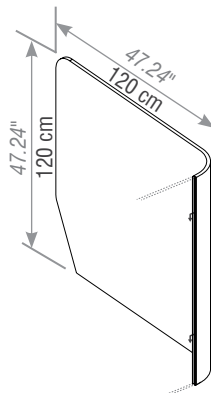
| START STOP | H | D x W | Weight |
|------------------------|------------------|-------------------------------|----------------------|
| Start Stop Left - 120 | 120 cm 47.24" | 120 x 4,5 cm 47.24 x 1.77" | 16,6 kg 43.43 lbs |
| Start Stop Left - 135 | 135 cm 53.15" | 120 x 4,5 cm 47.24 x 1.77" | 18,7 kg 48.94 lbs |
| Start Stop Left - 150 | 150 cm 59.06" | 120 x 4,5 cm 47.24 x 1.77" | |
| Start Stop Left - 180 | 180 cm 70.87" | 120 x 4,5 cm 47.24 x 1.77" | |
| Start Stop Right - 120 | 120 cm 47.24" | 120 x 4,5 cm 47.24 x 1.77" | 16,6 kg 43.43 lbs |
| Start Stop Right - 135 | 135 cm 53.15" | 120 x 4,5 cm 47.24 x 1.77" | 18,7 kg 48.94 lbs |
| Start Stop Right - 150 | 150 cm 59.06" | 120 x 4,5 cm 47.24 x 1.77" | |
| Start Stop Right - 180 | 180 cm 70.87" | 120 x 4,5 cm 47.24 x 1.77" | |



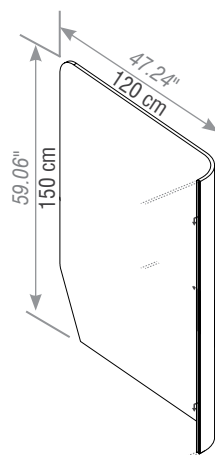
Start Stop Right - 120



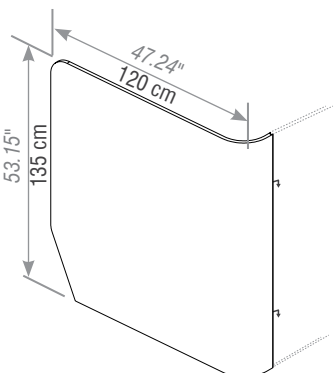
Start Stop Right - 150



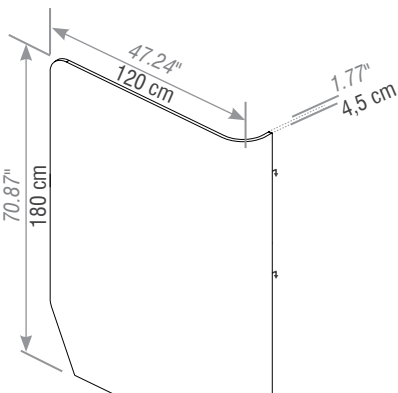
Start Stop Left - 120



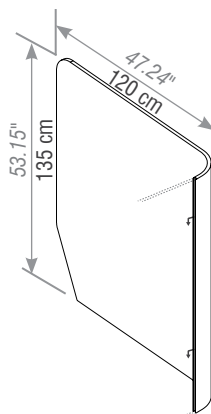
Start Stop Left - 150



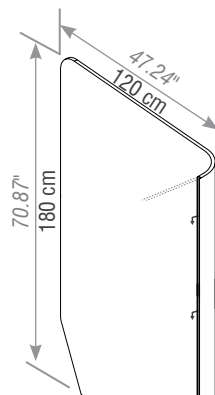
Start Stop Right - 135



Start Stop Right - 180



Start Stop Left - 135



Start Stop Left - 180

arrows are representative of where attachment points are located: ↴



BuzziVille | Dimensions & Weight

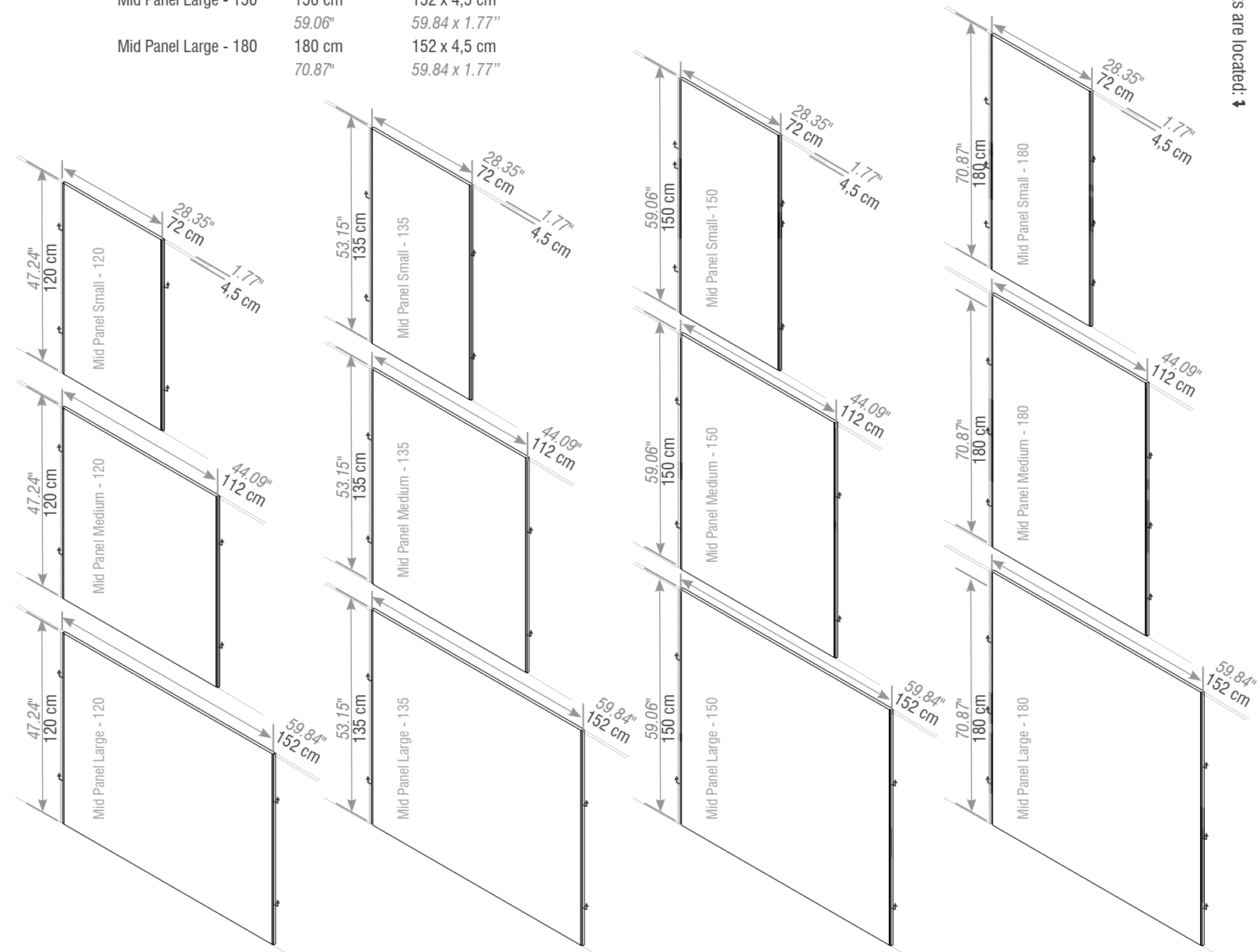
MID PANEL

H

Weight

| | | | |
|------------------------|------------------|-------------------------------|----------------------|
| Mid Panel Small - 120 | 120 cm 47.24" | 72 x 4,5 cm 28.35 x 1.77" | 7,4 kg 16.31 lbs |
| Mid Panel Small - 135 | 135 cm 53.15" | 72 x 4,5 cm 28.35 x 1.77" | 8,3 kg 18.30 lbs |
| Mid Panel Small - 150 | 150 cm 59.06" | 72 x 4,5 cm 28.35 x 1.77" | |
| Mid Panel Small - 180 | 180 cm 70.87" | 72 x 4,5 cm 28.35 x 1.77" | |
| Mid Panel Medium - 120 | 120 cm 47.24" | 112 x 4,5 cm 44.09 x 1.77" | 11,9 kg 26.24 lbs |
| Mid Panel Medium - 135 | 135 cm 53.15" | 112 x 4,5 cm 44.09 x 1.77" | 13,4 kg 29.54 lbs |
| Mid Panel Medium - 150 | 150 cm 59.06" | 112 x 4,5 cm 44.09 x 1.77" | |
| Mid Panel Medium - 180 | 180 cm 70.87" | 112 x 4,5 cm 44.09 x 1.77" | |
| Mid Panel Large - 120 | 120 cm 47.24" | 152 x 4,5 cm 59.84 x 1.77" | 16,1 kg 35.49 lbs |
| Mid Panel Large - 135 | 135 cm 53.15" | 152 x 4,5 cm 59.84 x 1.77" | 18,1 kg 39.90 lbs |
| Mid Panel Large - 150 | 150 cm 59.06" | 152 x 4,5 cm 59.84 x 1.77" | |
| Mid Panel Large - 180 | 180 cm 70.87" | 152 x 4,5 cm 59.84 x 1.77" | |

arrows are representative of where attachment points are located. 



BuzziVille | Dimensions & Weight

MID PANEL MEDIA

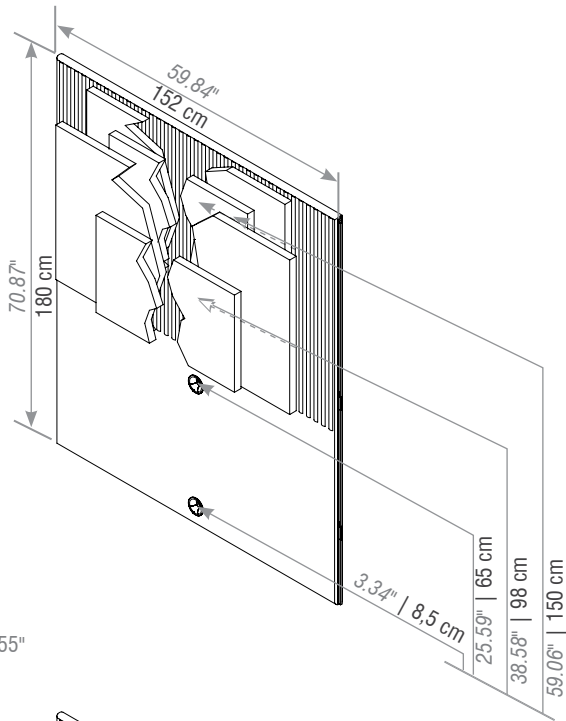
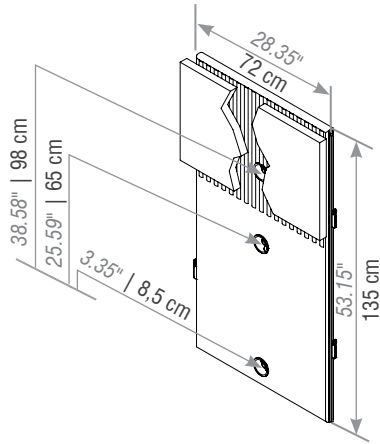
| | H | |
|-----------------------------|------------------|-------------------------------|
| Mid Panel Media Small - 135 | 135 cm 53.15" | 72 x 4,5 cm 28.35 x 1.77" |
| Mid Panel Media Large - 180 | 180 cm 70.87" | 152 x 4,5 cm 59.84 x 1.77" |

zipper in the back

other heights & widths on request

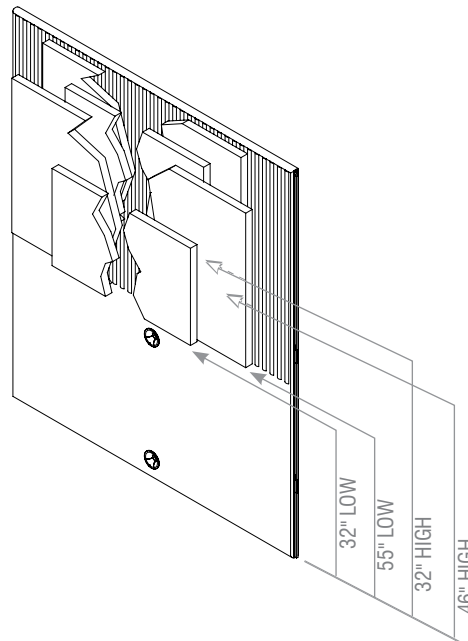
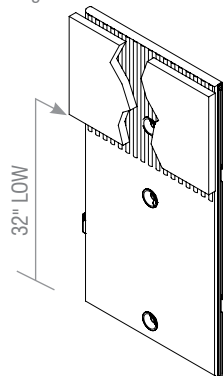
Mid Panel Media Small - 135

Mid Panel Media Large - 180



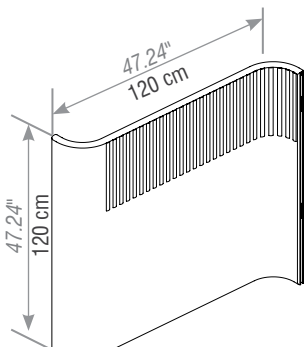
TV's are not incl.
examples:

Vögels Base 05M Flat: Wall mount 32-55"

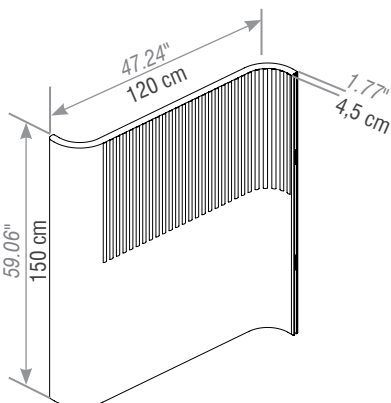


BuzziVille | Dimensions & Weight

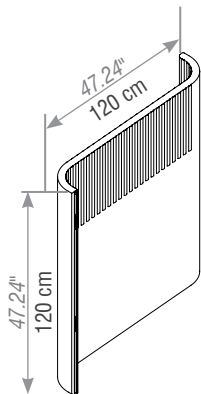
| WALL S | H | D x W | Weight |
|-----------------------|------------------|-------------------------------|----------------------|
| S-Connect Left - 120 | 120 cm 47.24" | 120 x 4,5 cm 47.24 x 1.77" | 19,7 kg 43.43 lbs |
| S-Connect Left - 135 | 135 cm 53.15" | 120 x 4,5 cm 47.24 x 1.77" | 22,2 kg 48.94 lbs |
| S-Connect Left - 150 | 150 cm 59.06" | 120 x 4,5 cm 47.24 x 1.77" | |
| S-Connect Left - 180 | 180 cm 70.87" | 120 x 4,5 cm 47.24 x 1.77" | |
| S-Connect Right - 120 | 120 cm 47.24" | 120 x 4,5 cm 47.24 x 1.77" | 19,7 kg 43.43 lbs |
| S-Connect Right - 135 | 135 cm 53.15" | 120 x 4,5 cm 47.24 x 1.77" | 22,2 kg 48.94 lbs |
| S-Connect Right - 150 | 150 cm 59.06" | 120 x 4,5 cm 47.24 x 1.77" | |
| S-Connect Right - 180 | 180 cm 70.87" | 120 x 4,5 cm 47.24 x 1.77" | |



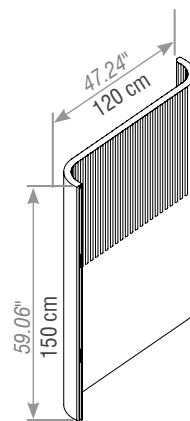
S-Connect Left - 120



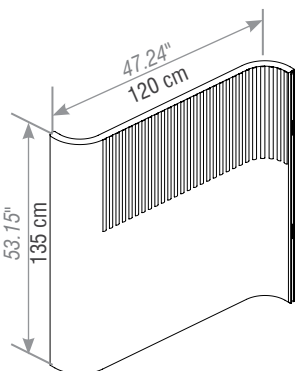
S-Connect Left - 150



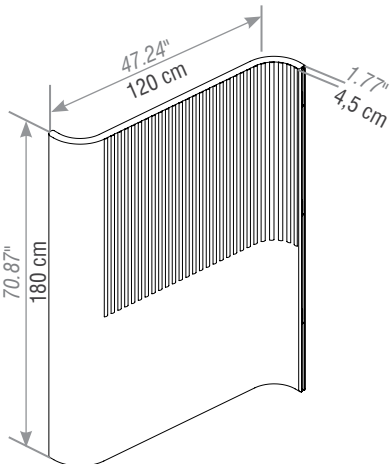
S-Connect Right - 120



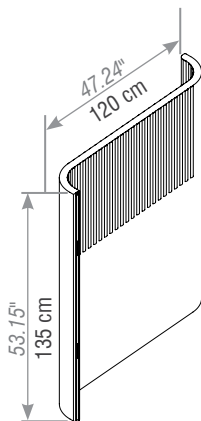
S-Connect Right - 150



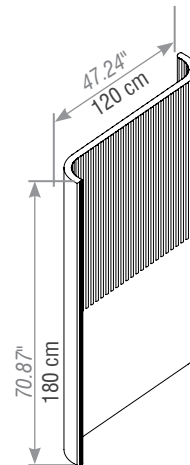
S-Connect Left - 135



S-Connect Left - 180



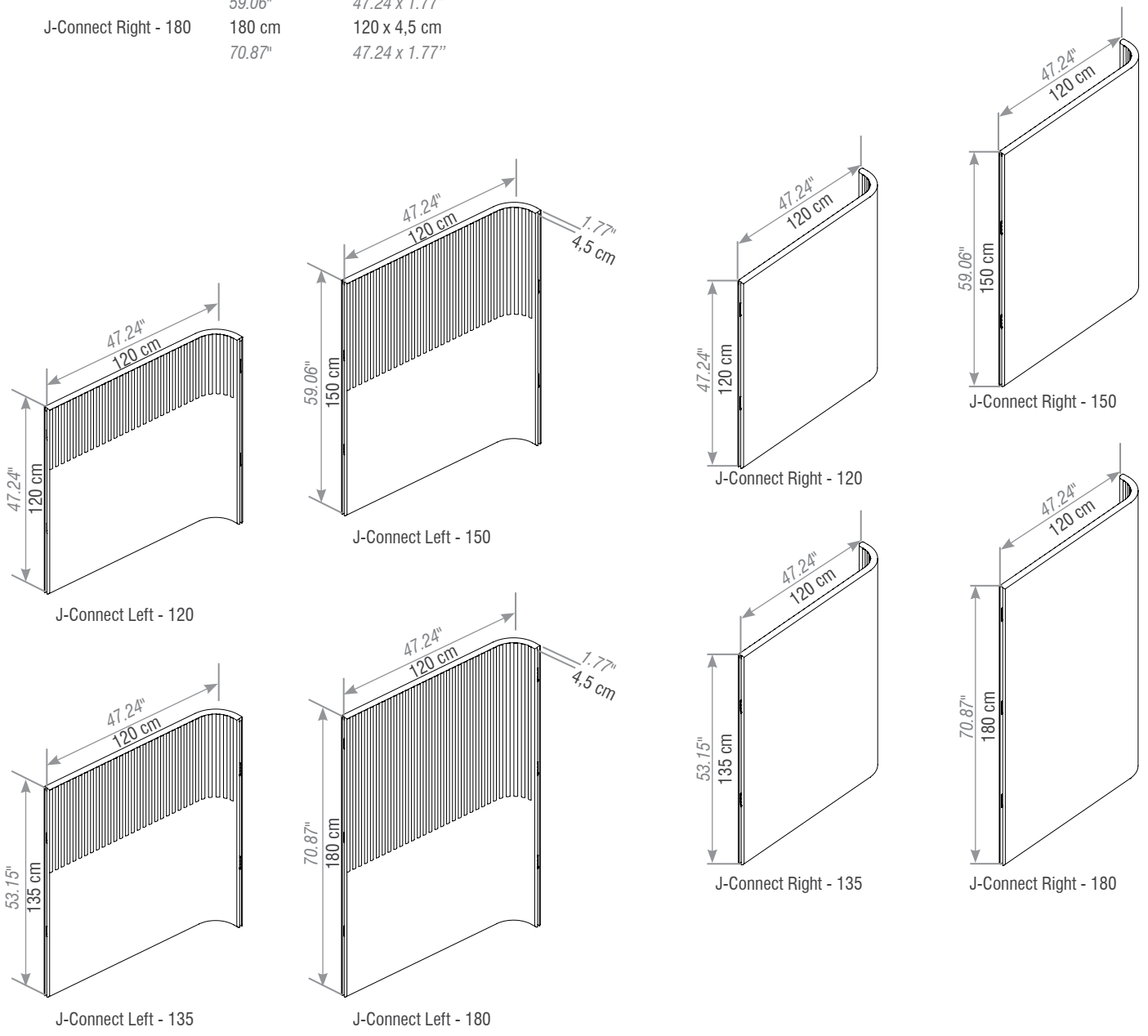
S-Connect Right - 135



S-Connect Right - 180

BuzziVille | Dimensions & Weight

| WALL J | H | D x W | Weight |
|-----------------------|------------------|-------------------------------|----------------------|
| J-Connect Left - 120 | 120 cm 47.24" | 120 x 4,5 cm 47.24 x 1.77" | 17 kg 37.48 lbs |
| J-Connect Left - 135 | 135 cm 53.15" | 120 x 4,5 cm 47.24 x 1.77" | 19,1 kg 42.11 lbs |
| J-Connect Left- 150 | 150 cm 59.06" | 120 x 4,5 cm 47.24 x 1.77" | |
| J-Connect Left - 180 | 180 cm 70.87" | 120 x 4,5 cm 47.24 x 1.77" | |
| J-Connect Right - 120 | 120 cm 47.24" | 120 x 4,5 cm 47.24 x 1.77" | 17 kg 37.48 lbs |
| J-Connect Right - 135 | 135 cm 53.15" | 120 x 4,5 cm 47.24 x 1.77" | 19,1 kg 42.11 lbs |
| J-Connect Right - 150 | 150 cm 59.06" | 120 x 4,5 cm 47.24 x 1.77" | |
| J-Connect Right - 180 | 180 cm 70.87" | 120 x 4,5 cm 47.24 x 1.77" | |






BuzziVille | Dimensions & Weight

SMALL

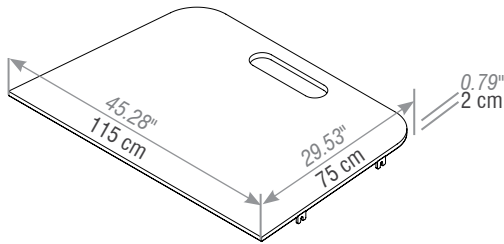
Size:

Weight:

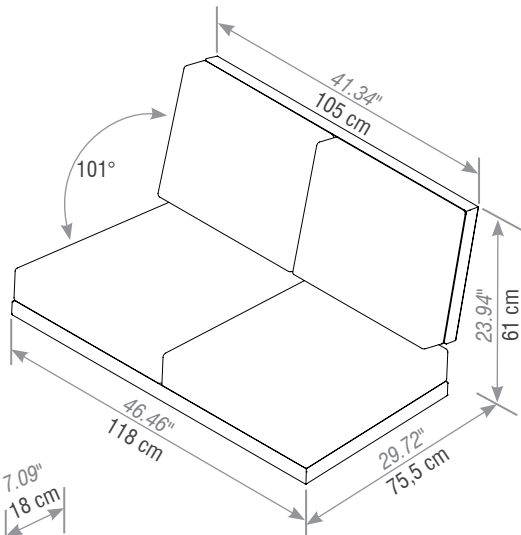
| | | |
|------------------------------|--|----------------------|
| Worktop Small | 75 x 115 x 2 cm 29.53 x 45.28 x 0.79" | 12,1 kg 26.68 lbs |
| Worktop Small Shape Left | 105 x 118,5 x 2 cm 41.34 x 46.65 x 0.79" | 11,5 kg 25.35 lbs |
| Worktop Small Shape Right | 105 x 118,5 x 2 cm 41.34 x 46.65 x 0.79" | 11,5 kg 25.35 lbs |
| Worktop Small Triangle Left | 60 x 120 x 2 cm 23.62 x 47.24 x 0.79" | 7,7 kg 16.98 lbs |
| Worktop Small Triangle Right | 60 x 120 x 2 cm 23.62 x 47.24 x 0.79" | 7,7 kg 16.98 lbs |
| Bench Small | 75,5 x 118 x 61 cm 29.72 x 46.46 x 23.94" | 37,7 kg 83.11 lbs |
| Tablet Small | 18 x 105 x 15 cm 7.09 x 41.34 x 5.91" | 3,1 kg 6.83 lbs |

- Cutout:  Ø 8 cm | Ø 3.15"
- Cutout:  80 x 240 mm | 31.15 x 9.45"
- Notch:  Ø 1 cm | Ø 0.39"
- Seatheight: 42 cm | 16.54"

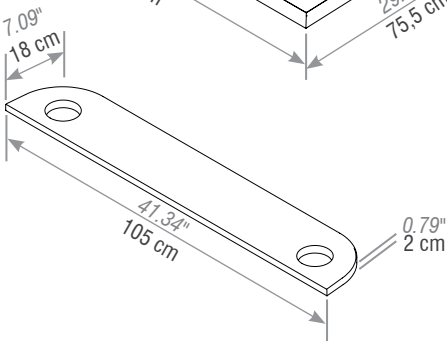
Worktop Small



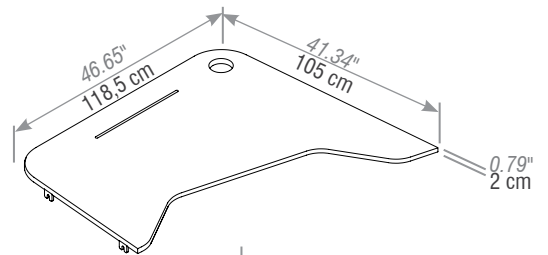
Bench Small



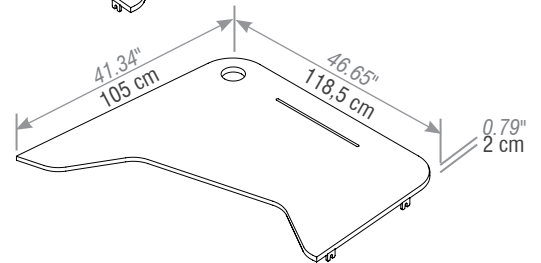
Tablet Small



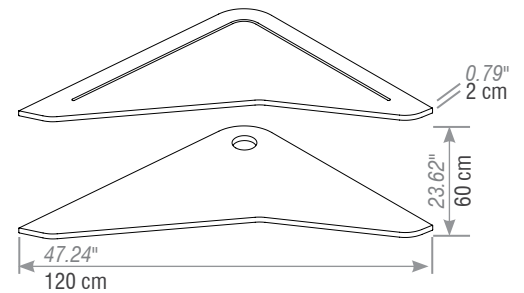
Worktop Small Shape Right



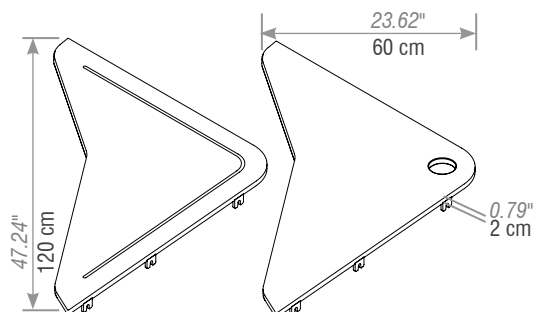
Worktop Small Shape Left



Worktop Small Triangle Left



Worktop Small Triangle Right



in combination with Bench Small only

BuzziVille | Dimensions & Weight

MEDIUM

Size:

Weight:

Worktop Medium

75 x 155 x 2 cm
29.53 x 61.02 x 0.79"

17,6 kg
38.80 lbs

Bench Medium




75,5 x 158 x 61 cm
29.72 x 62.20 x 23.94"

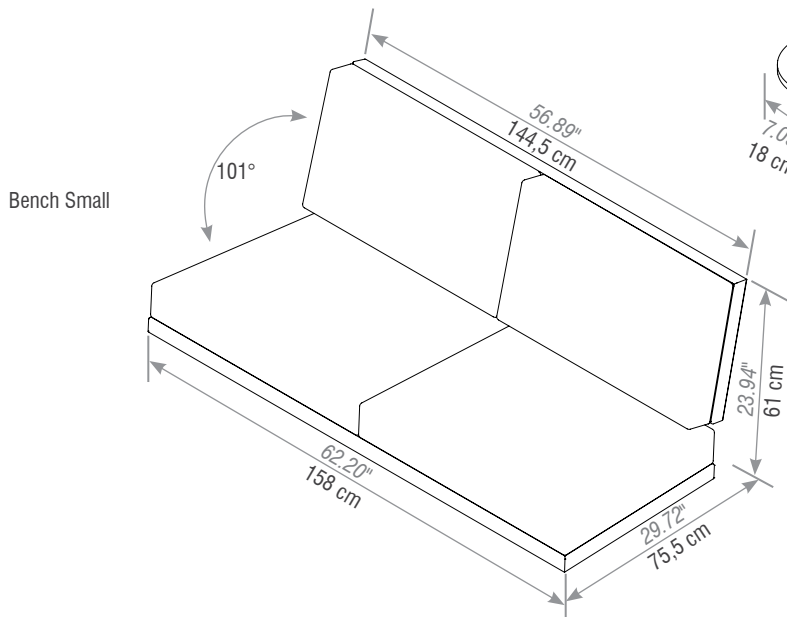
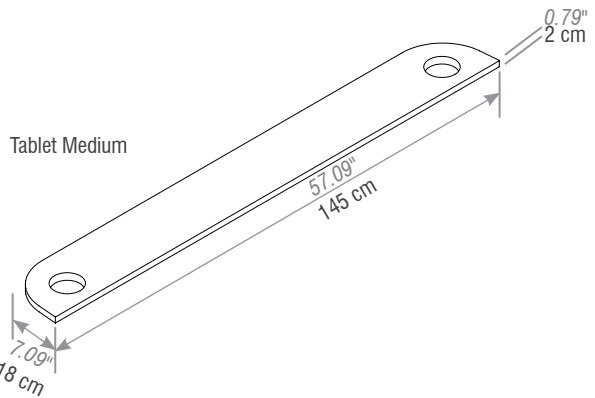
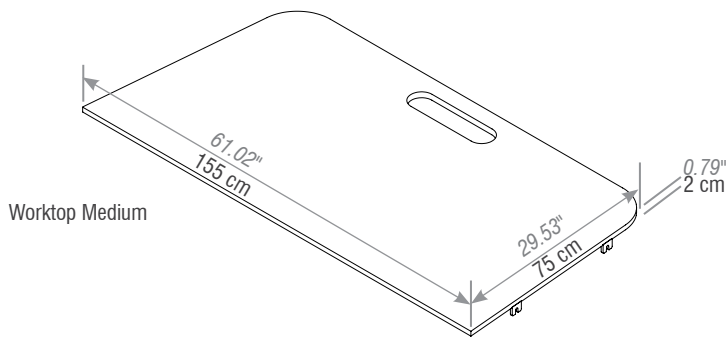
49,1 kg
104.24 lbs

Tablet Medium

18 x 145 x 15 cm
7.09 x 57.09 x 5.91"

4,3 kg in combination with Bench Medium only
9.48 lbs

- Cutout:  Ø 8 cm | Ø 3.15"
- Cutout:  80 x 240 mm | 31.15 x 9.45"
- Notch:  Ø 1 cm | Ø 0.39"
- Seatheight: 42 cm | 16.54"



BuzziVille | Dimensions & Weight

LARGE




Size:

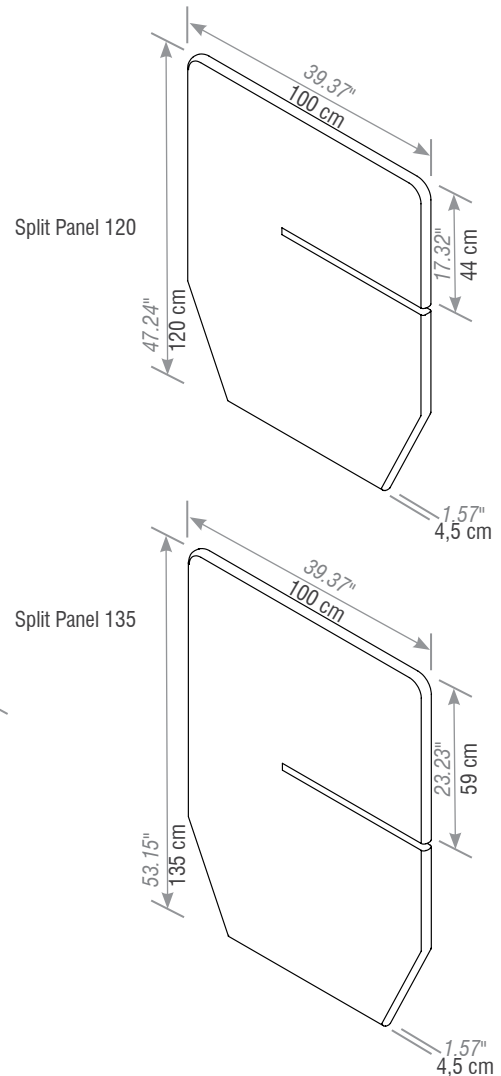
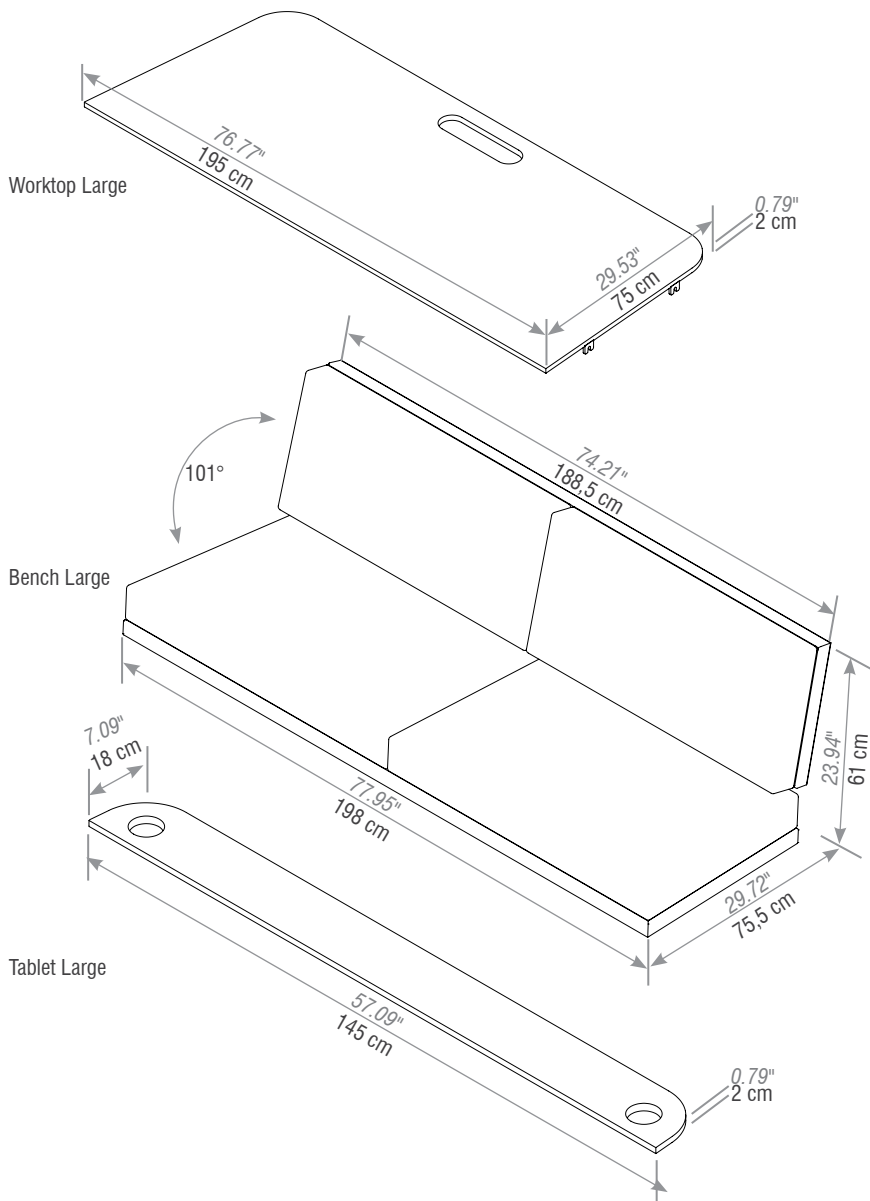
Weight:

| | | |
|-----------------|---|----------------------|
| Worktop Large | 75 x 195 x 2 cm 29.53 x 76.77 x 0.79" | 22,1 kg 48.72 lbs |
| Split panel 120 | 100 x 119 x 4,5 cm 39.37 x 46.85 x 1.57" | |
| Split panel 135 | 100 x 134 x 4,5 cm 39.37 x 52.76 x 1.57" | |

| | | |
|-------------|--|---------------------|
| Bench Large | 75,5 x 198 x 61 cm 29.72 x 77.95 x 23.94" | 62 kg 136.69 lbs |
|-------------|--|---------------------|

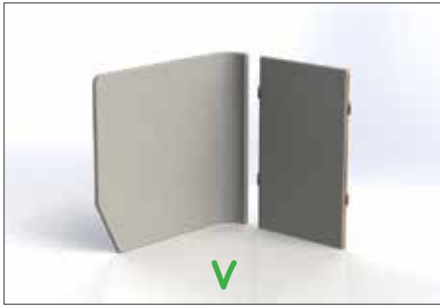
| | | | |
|--------------|--|---------------------|--------------------------------------|
| Tablet Large | 18 x 185 x 15 cm 7.09 x 72.83 x 5.91" | 5,5 kg 12.13 lbs | in combination with Bench Large only |
|--------------|--|---------------------|--------------------------------------|

- Cutout:  Ø 8 cm | Ø 3.15"
- Cutout:  80 x 240 mm | 31.15 x 9.45"
- Notch:  Ø 1 cm | Ø 0.39"
- Seatheight: 42 cm | 16.54"



BuzziVille | DO! ✓ or DON'T! ✗

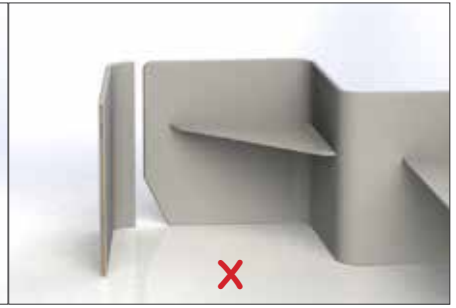
Start Stop Panel + Mid Panel



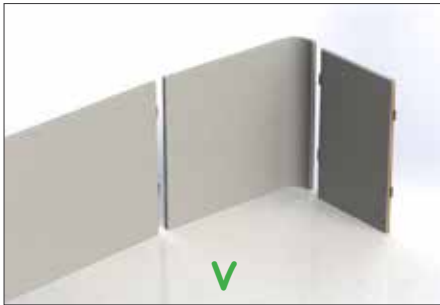
Start Stop H120 + Mid Panel H135



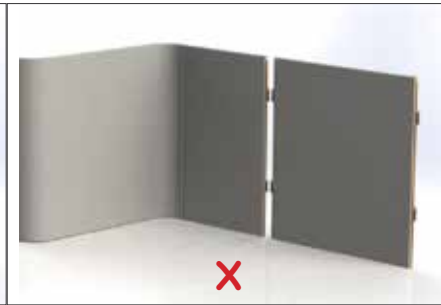
J-Connect + Start Stop



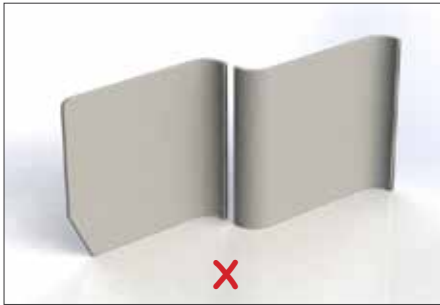
Mid Panel + J-Connect + Mid Panel



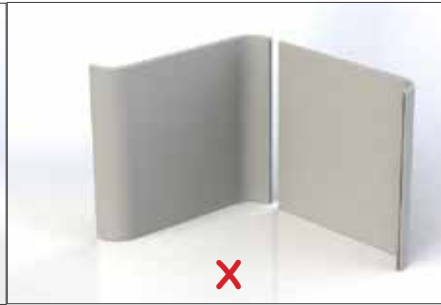
Mid Panel + Mid Panel



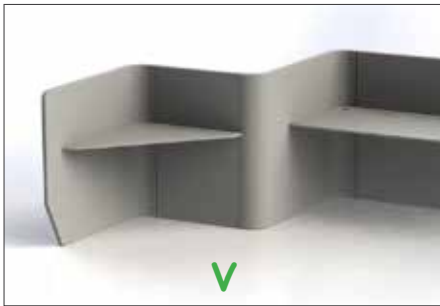
Start Stop Panel + S-Connect



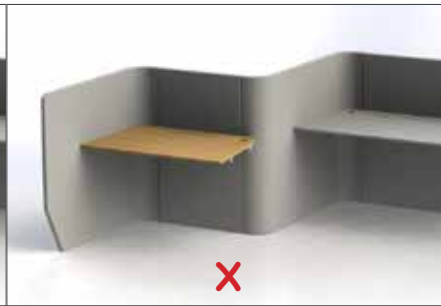
S-Connect + J-Connect



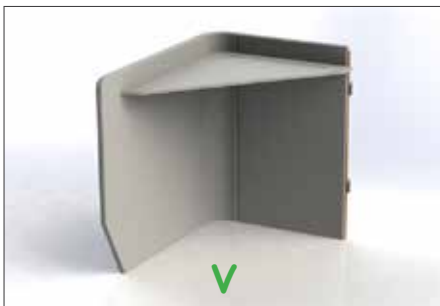
Mid Panel + S-Connect + Mid Panel



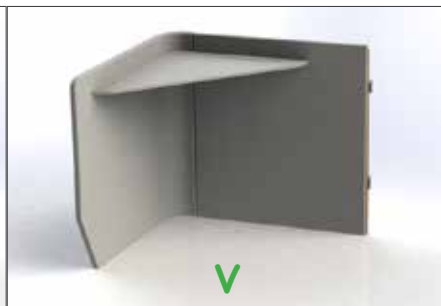
Worktop unsupported on one side



Worktop Triangle + Mid Panel Small



Worktop Triangle + Mid Panel Medium



Worktop Triangle + Mid Panel Large

