

# CANAPÉ



**Rigorous, essential,  
resistant and  
comfortable.  
Canapé is the  
collection that suits  
everybody.**

## COMFORTABLE

The sofas and armchairs of Canapé collection ensure a high comfort level thanks to the padding in high-density foamed polyurethane, CFC free, that envelops the structure ensuring inalterability of the shapes and compactness in time. The back height is optimal to support the back, while the seat depth is suitable for talking and relaxing moments.

## NATURALLY RESISTANT

Canapé inner structure is made in wood to ensure sturdiness and resistance to any product.

## FUNCTIONALITY AND CLASS

Canapé features a wide range of valuable upholsteries. In the GL version, the back and seat can be embellished with handcraft stitching with large square pattern. The seat and back cushions can be repositioned thanks to a quick-hold strap.

## MATERIALS

**Structural frame:** wood, chipboard and MDF

**Legs:** die cast aluminium legs polished

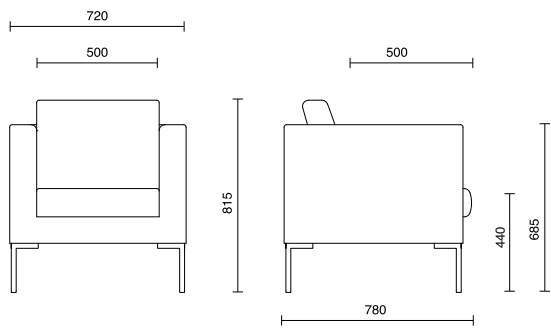
**Cushions:** seat and back cushions removable by rapid fixing strap, with elegant square stitching

**Padding:** expanded polyurethane, CFC free

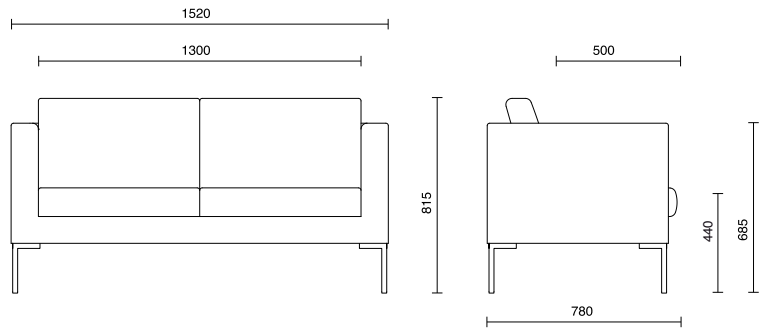
**Upholstery:** leather, ecological leather, fabric, faux-leather fabric

**Versions:** without (Canapé) or with elegant square stitching (Canapé GL)

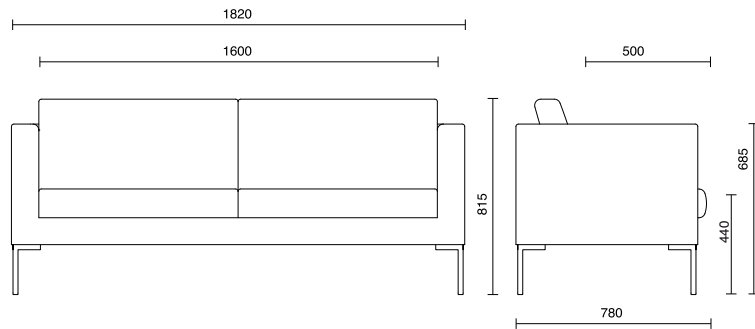
# DIMENSIONS AND MODELS



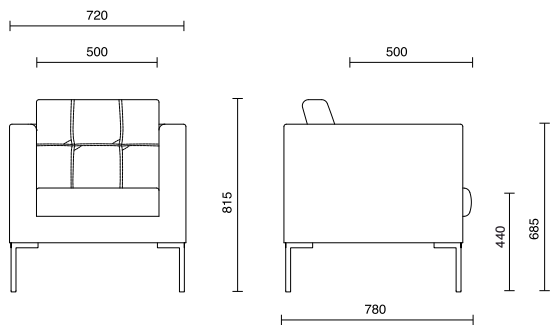
Canapè  
armchair



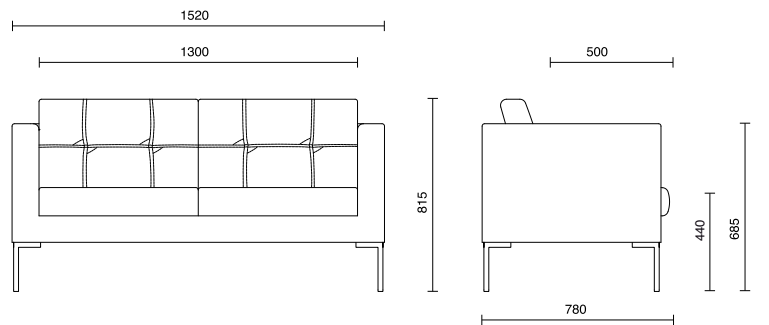
Canapè  
2 seater



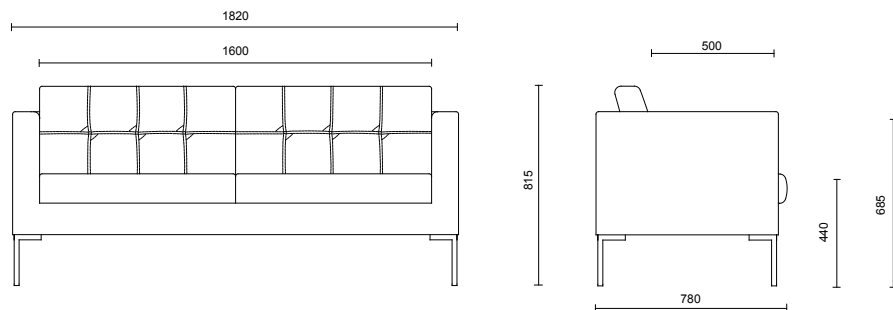
Canapè  
3 seater



Canapè GL  
armchair



Canapè GL  
2 seater



Canapè GL  
3 seater

# COLOURS, MATERIALS, FINISHING \*

## LEGS FINISHING



Aluminium  
polished

## UPHOLSTERY



Fabric  
AB Xtreme Plus  
19 colours



Fabric  
FE  
21 colours



Faux-leather  
fabric CI-CX  
26 colours



Ecological  
leather  
N  
13 colours



Leather  
TS  
18 colours



Leather  
S  
13 colours



Ecological  
leather  
N  
13 colours



Leather  
S  
13 colours

\* Please refer to the Price list in force and to the General sale conditions for the colours and the combinations available for every single product. Colours shown are used for reference only and may look different in reality. Please contact SitLand to receive more information.

## PCON.PLANNER



It will be possible to configurate our model Canapé by using pCon.planner program for the design of 2D an 3D environment.

pCon.planner allows to design working solutions in a fast and intuitive way, creating "realistic" images with advanced features, with a considerable saving of time and resources.

It is easy to start using pCon.planner: after downloading the software in the proper page, it is possible to download pCon.catalog, the practical online catalogue of products ready to be set up according to anyone's need, and then include the products in the projects.

For more information on the use of pCon.planner and the access to the products of the SitLand's catalogues, please contact [com@sitland.com](mailto:com@sitland.com)

## WARRANTY



Canapé and Canapé GL have 5 years warranty.

For any further detail, please contact SitLand's customer service at [service@sitland.com](mailto:service@sitland.com)

## MORE INFORMATION

Please look through our catalogue to see all the different versions available of Canapé

[http://www.sitland.com/sitland\\_catalogues/restart\\_catalogue/restart\\_catalogue.html#p=150](http://www.sitland.com/sitland_catalogues/restart_catalogue/restart_catalogue.html#p=150)

or see our Canapé page into our web site [www.sitland.com](http://www.sitland.com)

# SitLand®

SitLand S.p.A.  
Via Cà Silvestre, 52  
36024 Nanto - Vicenza  
info@sitland.com - www.sitland.com  
Tel. +39 0444 637100



SitLand S.p.A. is certified  
UNI EN ISO 9001: 2008  
UNI EN ISO 14001: 2004

Follow us on:

