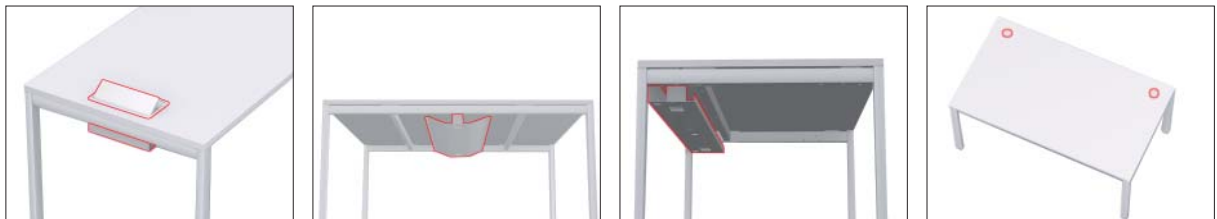


## CLIC DESK

Click is a complete program that provide solutions for the modern office.



### OPTIONAL FEATURES

- Single or double cable management for power sockets and cable routing. High capacity and removable to facilitate the installation of electrical systems.
- 2 wiring exits on the front in 2 finishes.
- Hinged covers on the front and side with trays for power sockets in 2 finishes.
- Vertebrated vertical cable mounting or totem system for group work stations.
- Suspended drawer with lock.
- Modesty panel in plain steel plate.

## CLIC DESK

### DESCRIPTION

#### Crossbar

50x30 metal profile in cold-rolled steel with a thickness of 1,5 mm as per DIN 2395. The crossbar is fixed to the desk top and the horizontal leg profile.

#### Rectangular leg

Profile assembly, two vertical 50x30x1.5 rectangular profiles and a 50x40 mm horizontal profile in the form of a bridge leg, thickness 2, as per DIN 2395. The legs end in non-slip levellers with which to compensate for uneven floor surfaces, 20 mm.

The entire structure is degreased, washed and phosphated before being coated with 60/80 micrometres of epoxy powder and then polymerised. This powder coating complies with the current reaction to fire standard UNE 23827-90.

The frame is joined to the desk top with M6 screws.

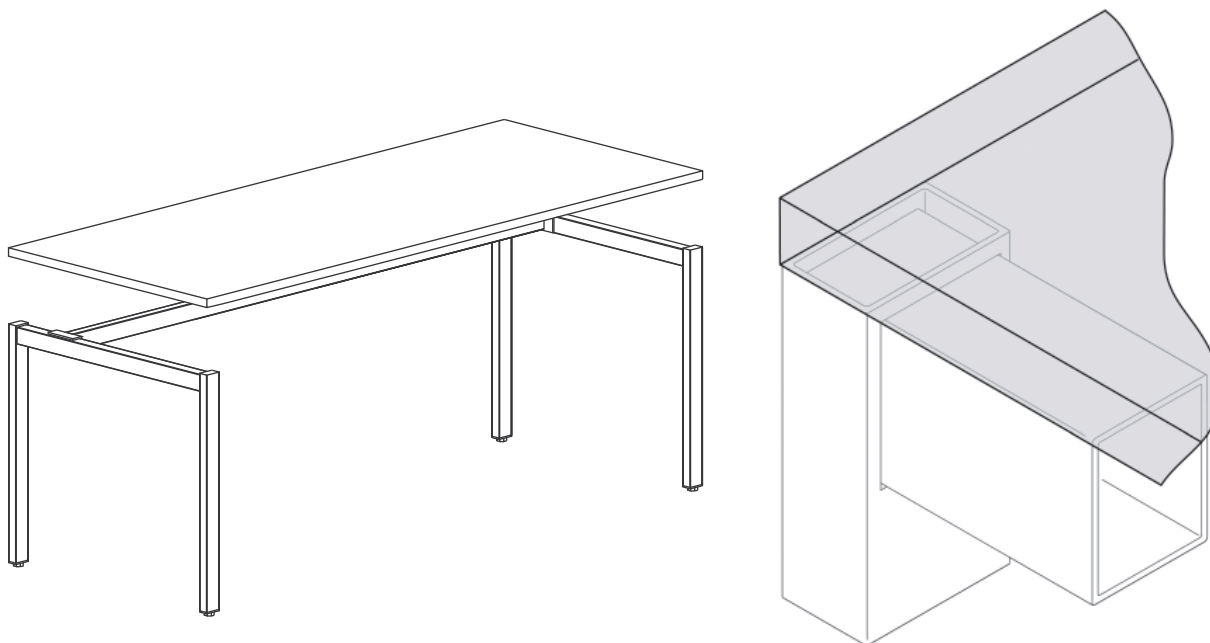
#### Desk top

25-mm thick chipboard, bonded with synthetic resins and especially designed for applications that require high bending strength. Average density of 660/635 kg/m<sup>3</sup> as per EN 323.

Laminated finish. 2-mm thick PVC edge as per UNE 56.843:01.

Face-to-face work stations have a single desk top.

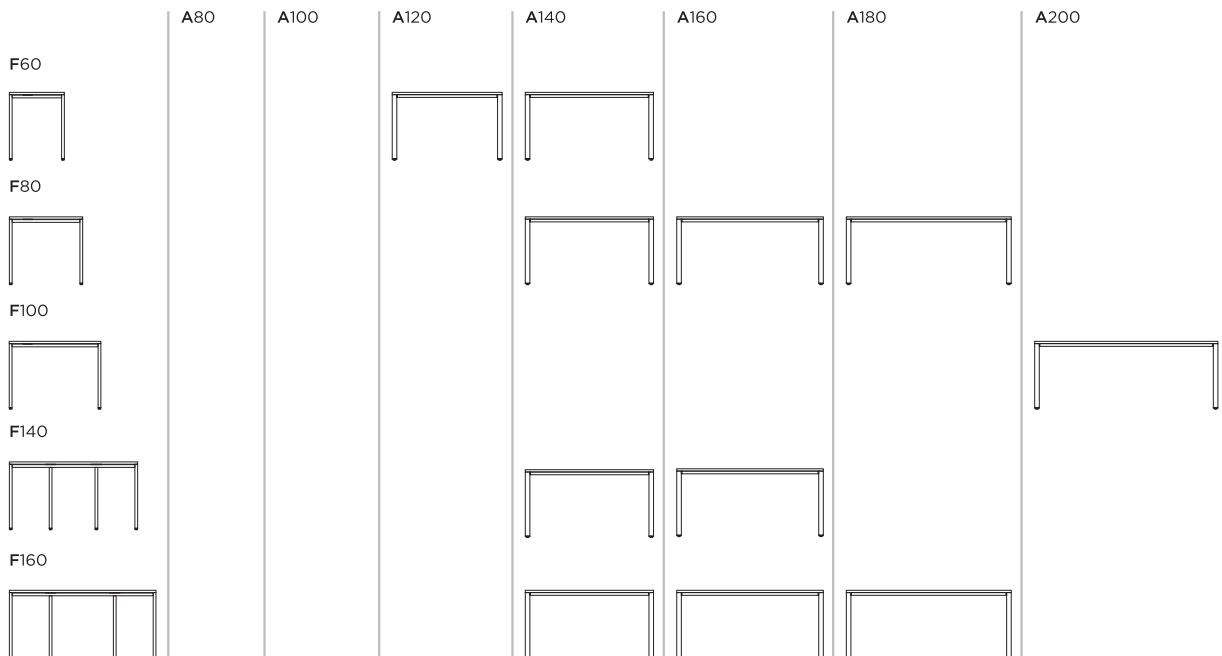
The wing can be fitted either on the right or the left of the main desk.



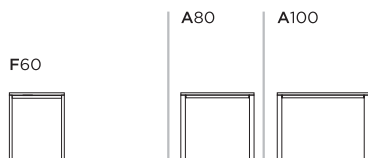
## CLIC DESK

### RANGE

#### DESK



#### RETURN



### CERTIFICATIONS AND STANDARDS



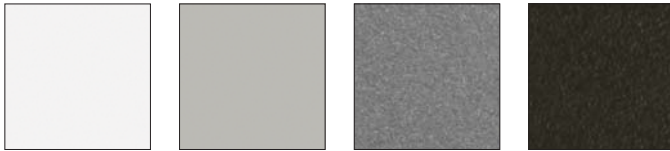
## CLIC DESK

### FINISH

#### FRAME

---

Plain epoxy



HBA White

HGC Light grey

8GP Platinum grey

8GG Ugu

#### TOP AND PANEL

---

Laminates



MBA White

MGC Light grey

MGP Platinum grey

MGU Ugu

MAU Birch

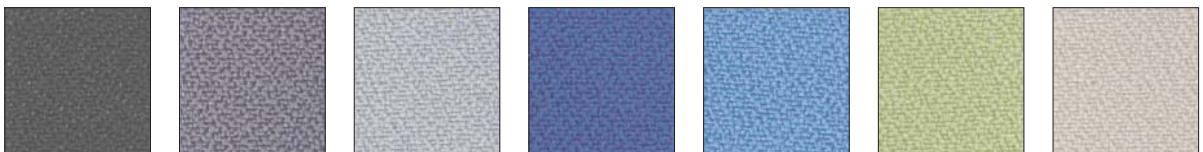
MRM Oak

MAA Acacia

#### PANEL

---

Fabrics



1320

1311

1310

1341

1340

1331

1382



1360



1357