
BuzziBlox

Product Specification Sheet

This document contains technical information about the BuzziBlox



BuzziBlox is a group of acoustic panels with different depths, developed to tune a room in the speech spectrum range and especially in the low and mid- frequencies.

By using alternating depths, the absorption of the different wavelengths into the thick layers of foam will be improved and make sure that the waves don't reflect into the room again. This diffusion effect will give the room a more pleasant sound experience. When placed against a wall, the Blox has more the appearance of a piece of art while fully maintaining its initial purpose: to control and monitor the sound in any given room, from a recording studio to an office or a public space.

Design by BuzziSpace Studio

General

- 🔑 BuzziBlox Square | Rectangular | Hexa | Penta | Wedge
Wall mounted or ceiling pendant

- 🌲 Frame: Poplar Multiplex
Filling: CME35H foam + Dacron
Cover: Fabric, Rough, Trevira CS+ | CS, Revive 1, Revive 2, Terra, Clara 2, Remix 2, Hero, Tonus 4, Tonus Meadow, Memory 2 or Matrix

Acoustics



Absorption



Diffusion

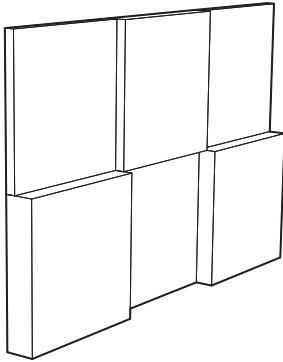
Content

| | |
|--------------------------|----|
| Configurations | 3 |
| Fabrics | 6 |
| Fixing Systems | 10 |
| Dimensions BuzziBlox | 11 |
| Dimensions fixing points | 15 |
| Acoustics | 16 |

Configurations

BuzziBlox Square

Example composition (can be bought per piece)



Frame: Poplar Multiplex

Filling: CME35H foam + Dacron

- 🌲 Cover: Fabric, Rough, Trevira CS+ | CS, Revive 1, Revive 2, Terra, Clara 2, Remix 2, Hero, Tonus 4, Tonus Meadow, Memory 2 or Matrix

SQ-4: W 59,5 cm H 59,5 cm D 4 cm
W 23.43" H 23.43" D 1.57"

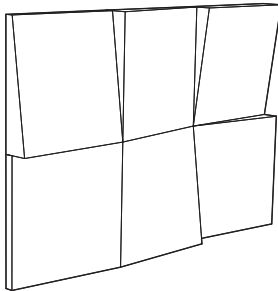
- ✂ SQ-8: W 59,5 cm H 59,5 cm D 8 cm
W 23.43" H 23.43" D 3.15"

SQ-12: W 59,5 cm H 59,5 cm D 12 cm
W 23.43" H 23.43" D 4.72"

- ⋮ Fixing system ceiling pendant (optional)

BuzziBlox Square Wedge

Example composition (can be bought per piece)



Frame: Poplar Multiplex

Filling: CME35H foam + Dacron

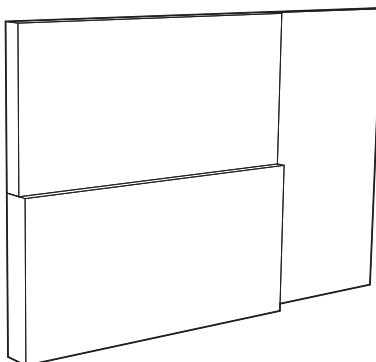
- 🌲 Cover: Fabric, Rough, Trevira CS+ | CS, Revive 1, Revive 2, Terra, Clara 2, Remix 2, Hero, Tonus 4, Tonus Meadow, Memory 2 or Matrix

- ✂ SQ-Wedge: W 59,5 cm H 59,5 cm D 4 to 12 cm
W 23.43" H 23.43" D 1.57" to 4.72"

- ⋮ Fixing system ceiling pendant (optional)

BuzziBlox Rectangular

Example composition (can be bought per piece)



Frame: Poplar Multiplex

Filling: CME35H foam + Dacron

- 🌲 Cover: Fabric, Rough, Trevira CS+ | CS, Revive 1, Revive 2, Terra, Clara 2, Remix 2, Hero, Tonus 4, Tonus Meadow, Memory 2 or Matrix

R-4: W 119 cm H 59,5 cm D 4 cm
W 46.85" H 23.43" D 1.57"

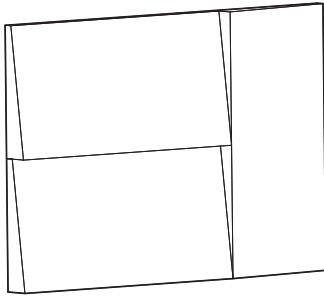
- ✂ R-8: W 119 cm H 59,5 cm D 8 cm
W 46.85" H 23.43" D 1.57"

R-12: W 119 cm H 59,5 cm D 12 cm
W 46.85" H 23.43" D 3.15"

- ⋮ Fixing system ceiling pendant (optional)

BuzziBlox Rectangular Woss (Wedge on short side)

Example composition (can be bought per piece)



Frame: Poplar Multiplex

Filling: CME35H foam + Dacron

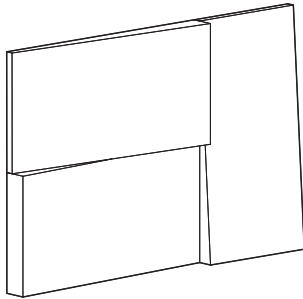
🌲 Cover: Fabric, Rough, Trevira CS+ | CS, Revive 1, Revive 2, Terra, Clara 2, Remix 2, Hero, Tonus 4, Tonus Meadow, Memory 2 or Matrix

✂ R-Woss: W 119 cm H 59,5 cm D 4 to 12 cm
W 46.85" H 23.43" D 1.57" to 4.72"

⋮ Fixing system ceiling pendant (optional)

BuzziBlox Rectangular Wols (Wedge on long side)

Example composition (can be bought per piece)



Frame: Poplar Multiplex

Filling: CME35H foam + Dacron

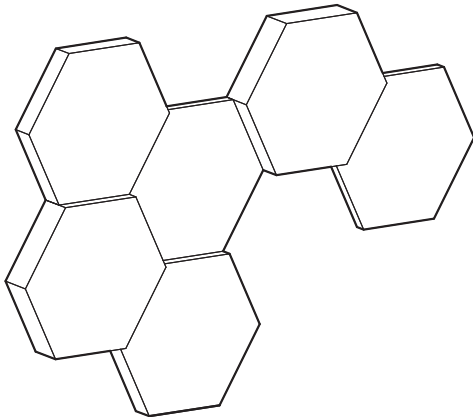
🌲 Cover: Fabric, Rough, Trevira CS+ | CS, Revive 1, Revive 2, Terra, Clara 2, Remix 2, Hero, Tonus 4, Tonus Meadow, Memory 2 or Matrix

✂ R-Wols: W 119 cm H 59,5 cm D 4 to 12 cm
W 46.85" H 23.43" D 1.57" to 4.72"

⋮ Fixing system ceiling pendant (optional)

BuzziBlox Hexa

Example composition (can be bought per piece)



Frame: Poplar Multiplex

Filling: CME35H foam + Dacron

🌲 Cover: Fabric, Rough, Trevira CS+ | CS, Revive 1, Revive 2, Terra, Clara 2, Remix 2, Hero, Tonus 4, Tonus Meadow, Memory 2 or Matrix

Hexa-4: W 60 cm H 69,3 cm D 4 cm
W 23.62" H 27.28" D 1.57"

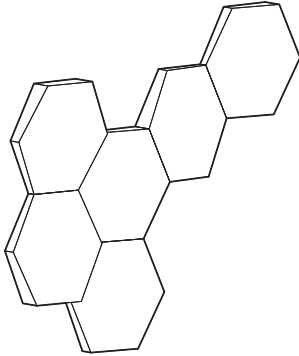
✂ Hexa-8: W 60 cm H 69,3 cm D 8 cm
W 23.62" H 27.28" D 3.15"

Hexa-12: W 60 cm H 69,3 cm D 12 cm
W 23.62" H 27.28" D 4.72"

⋮ Fixing system ceiling pendant (optional)

BuzziBlox Hexa Wedge

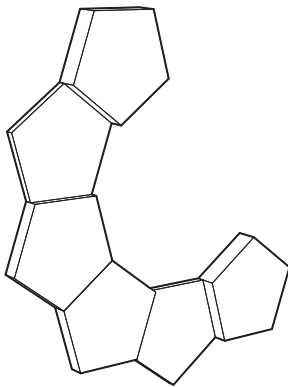
Example composition (can be bought per piece)



- Frame: Poplar Multiplex
- Filling: CME35H foam + Dacron
- 🌲 Cover: Fabric, Rough, Trevira CS+ | CS, Revive 1, Revive 2, Terra, Clara 2, Remix 2, Hero, Tonus 4, Tonus Meadow, Memory 2 or Matrix
- ✂ Hexa Wedge: W 60 cm H 69,3 cm D 4 to 12 cm
W 23.62" H 27.28" D 1.57" to 4.72"
- ⋮ Fixing system ceiling pendant (optional)

BuzziBlox Penta

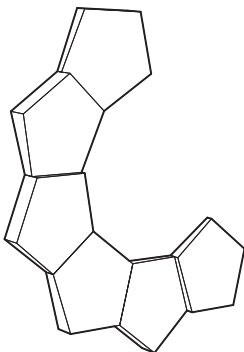
Example composition (can be bought per piece)



- Frame: Poplar Multiplex
- Filling: CME35H foam + Dacron
- 🌲 Cover: Fabric, Rough, Trevira CS+ | CS, Revive 1, Revive 2, Terra, Clara 2, Remix 2, Hero, Tonus 4, Tonus Meadow, Memory 2 or Matrix
- Penta-4: W 60 cm H 63,1 cm D 4 cm
W 23.62" H 24.84" D 1.57"
- ✂ Penta-8: W 60 cm H 63,1 cm D 8 cm
W 23.62" H 24.84" D 3.15"
- Penta-12: W 60 cm H 63,1 cm D 12 cm
W 23.62" H 24.84" D 4.72"
- ⋮ Fixing system ceiling pendant (optional)

BuzziBlox Penta Wedge

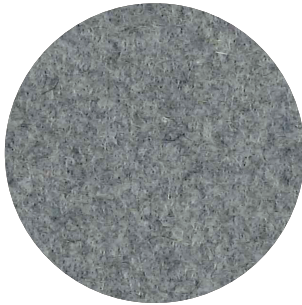
Example composition (can be bought per piece)



- Frame: Poplar Multiplex
- Filling: CME35H foam + Dacron
- 🌲 Cover: Fabric, Rough, Trevira CS+ | CS, Revive 1, Revive 2, Terra, Clara 2, Remix 2, Hero, Tonus 4, Tonus Meadow, Memory 2 or Matrix
- ✂ Penta Wedge: W 60 cm H 63,1 cm D 4 to 12 cm
W 23.62" H 24.84" D 1.57" to 4.72"
- ⋮ Fixing system ceiling pendant (optional)

Fabrics

Fabric



Category A

Composition 70% Recycled Wool, 25% Recycled Polyacryl,
5% Recycled Other Fabrics

Weight 405 g/m² | 11.94 oz/yd²

Abrasion resistance 40.000 Martindale, 50,000 Wyzenbeek

Flammability EU: EN 1021.1/2006 | BS EN 1021.1/2006 (cigarette).
EN 1021.2/2006 | BS EN 1021.2/2006 (match)
USA: CAL TB 117 | ASTM E84 CLASS A

Fastness to light EU 4 | USA 4

Fastness to rubbing EU: Wet 3-4 | Dry 4-5

Fastness to crocking USA: Wet 5 | Dry 5



Rough



Category A

Composition 100% Polyacryl

Weight 456 g/m² | 13.45 oz/yd²

Abrasion resistance 40.000 Martindale

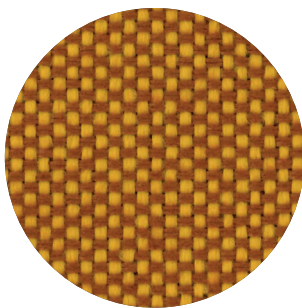
Flammability EU: EN 1021.1/2006 | BS EN 1021.1/2006 (cigarette)

Fastness to light EU: 5

Fastness to rubbing EU: Wet: 3 | Dry: 3



Trevira CS+ | CS



Category A

Weight 420 g/m² | 12.39 oz/yd²

Composition 100% Polyester, Trevira CS

Abrasion resistance 100.000 Martindale, 90,000 Wyzenbeek

Flammability BS 5852 part II: CRIB 5 | BS 7176 Medium Hazard
USA: CAL TB 117 | M1 | B1 | EN 1021/1-2 | C1 |
EN 1021/1-2
IMO Res. A652 (16)

Fastness to light EU: 6 | USA 5

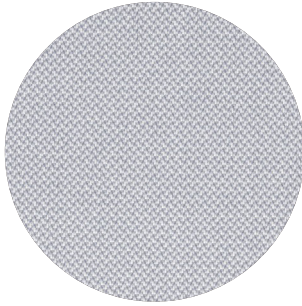
Fastness to rubbing EU: Wet 4-5 | Dry 4-5

Fastness to crocking USA: Wet 5 | Dry 5



Revive 1

kvadrat



Category A

Composition 100% recycled polyester FR

Weight 430 g/lin.m

Abrasion resistance 60.000 Martindale rubs, EN ISO 12947

Flammability EN 1021-1/2 | DIN 4102 B1 | Önorm B1/Q1
UNI 9175 11M | US Cal. Tech. Bull. 117
IMO A.652 (16)

Fastness to light Note 5-7, ISO 105-B02

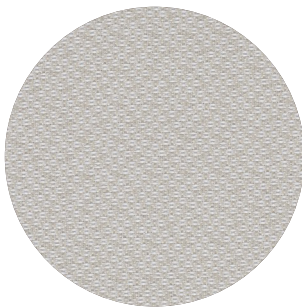
Fastness to rubbing (ISO) dry 5, wet 4-5

Pilling Note 4-5, EN ISO 12945



Revive 2

kvadrat



Category A

Composition 100% recycled polyester FR

Weight 420 g/lin.m

Abrasion resistance 45.000 Martindale rubs, EN ISO 12947

Flammability EN 1021-1/2 | DIN 4102 B1 | Önorm B1/Q1
UNI 9175 11M | US Cal. Tech. Bull. 117
IMO A.652 (16)

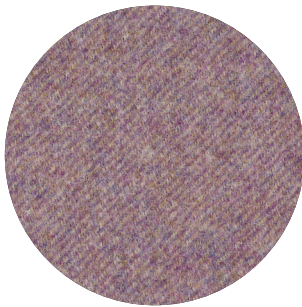
Fastness to light Note 5-7, ISO 105-B02

Fastness to rubbing (ISO) dry 5, wet 4-5

Pilling Note 4-5, EN ISO 12945



Terra



Category B

Composition 100% Pure New Wool

Weight 370 g/m² | 10.91 oz/yd²

Abrasion resistance 40.000 Martindale, 25,000 Wyzenbeek

Flammability EU: BS5852 CRIB 5 | BS5867 PART 2 : 2008 : TYPE B
EN 1021.2/2006 | USA: CAL TB 117

Fastness to light EU 5 | USA 5

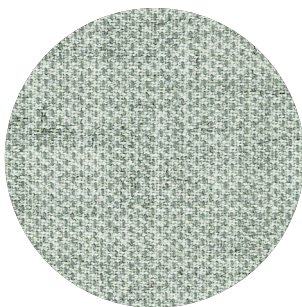
Fastness to rubbing EU: Wet 4 | Dry 4

Fastness to crocking USA: Wet 4 | Dry 4



Clara 2

kvadrat



Category B

Composition 92% new wool, 8% nylon

Weight 400 g/lin.m

Abrasion resistance 80.000 Martindale rubs, EN ISO 12947

Flammability EN 1021-1/2 | BS 5852, ignition source 2-3 | DIN 4102 B2
NF D 60 013 | UNI 9175 11M | US Cal. Tech. Bull. 117, Sec. E
NFPA 260 | IMO A.652(16)

Fastness to light Note 5-7, ISO 105-B02

Fastness to rubbing (ISO) dry 4-5, wet 4

Pilling Note 4, EN ISO 12945



Remix 2

kvadrat



Category B

Composition 90% new wool, 10% nylon

Weight 415 g/lin.m

Abrasion resistance 100.000 Martindale rubs, EN ISO 12947

Flammability EN 1021-1/2 | BS 5852 part 1

Önorm B1/Q1 | NF D 60 013 | UNI 9175, 1IM

AS/NZS 1530.3 | Cal. Tech. Bull. 117-2013

NFPA 260 | IMO FTP Code 2010:Part 8

Fastness to light Note 5-7, ISO 105-B02

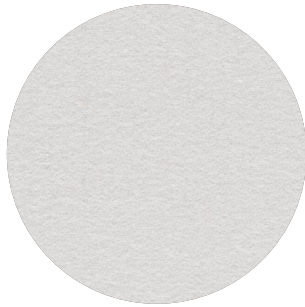
Fastness to rubbing (ISO) dry 4-5, wet 4

Pilling Note 4, EN ISO 12945



Hero

kvadrat



Category C

Composition 96% new wool, 4% nylon

Weight 580 g/lin.m

Abrasion resistance 45.000 Martindale rubs, EN ISO 12947

Flammability EN 1021-1/2 | DIN 4102 B2 | NF D 60 013

UNI 9175 1IM | US Cal. Bull. 117-2013 | NFPA 260

IMO A.652 (16)

Fastness to light Note 5-6, ISO 105-B02

Fastness to rubbing (ISO) dry 4-5, wet 4-5

Pilling Note 3-4, EN ISO 12945



Tonus 4

kvadrat



Category D

Composition 90% new wool, 10% Helanca

Weight 665 g/lin.m

Abrasion resistance 100.000 Martindale rubs, EN ISO 12947

Flammability EN 1021-1/2 | BS 5852 part 1 | DIN 4102 B2

Önorm B1/Q1 | NF D 60 013 | UNI 9175 1IM

US Cal. Bull. 117-2013 | NFPA 260 | IMO A.652 (16)

Fastness to light Note 5-7, ISO 105-B02

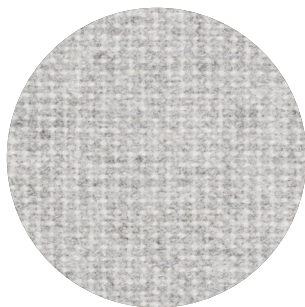
Fastness to rubbing (ISO) dry 3-5, wet 3-5

Pilling Note 3, EN ISO 12945



Tonus Meadow

kvadrat



Category D

Composition 90% new wool, 10% Helanca

Weight 665 g/lin.m

Abrasion resistance 100.000 Martindale rubs, EN ISO 12947

Flammability EN 1021-1/2 | BS 5852 part 1 | DIN 4102 B2

Önorm B1/Q1 | NF D 60 013 | UNI 9175 1IM

US Cal. Bull. 117-2013 | NFPA 260 | IMO A.652 (16)

Fastness to light Note 5-7, ISO 105-B02

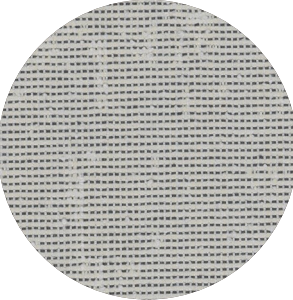
Fastness to rubbing (ISO) dry 4-5, wet 4

Pilling Note 3, EN ISO 12945



Memory 2

kvadrat



Category E

Composition 100% Trevira CS

Weight 700 g/lin.m

Abrasion resistance

35.000 rubs acc. to the Martindale method, EN ISO 12947

Flammability EN 1021-1/2 | DIN 4102 B1 | Önorm B1/Q1
NF D 60 013 | NF P 92 507 M1 | UNI 9175 11M
UNI 9177 classe 1 | US Cal. Tech. Bull. 117
IMO A.652 (16)

Fastness to light Note 5-8, ISO 105-B02

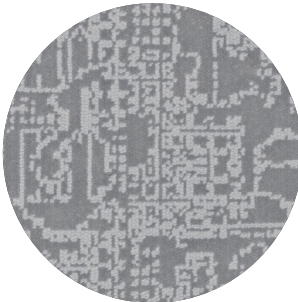
Fastness to rubbing (ISO) dry 4-5, wet 4-5

Pilling Note 4, EN ISO 12945



Matrix

kvadrat



Category F

Composition 100% Trevira CS

Weight 760 g/lin.m

Abrasion resistance

App. 60.000 rubs acc. to the Martindale method, EN ISO 12947

Flammability EN 1021-1/2 | BS 5852 crib 5 | BS 5867 part 2 type B
DIN 4102 B1 | Önorm B1/Q1 | NF D 60 013
UNI 9175 11M | US Cal. Tech. Bull. 117 | NFPA 701
IMO A.652 (16)

Fastness to light Note 5-7, ISO 105-B02

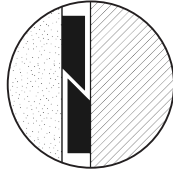
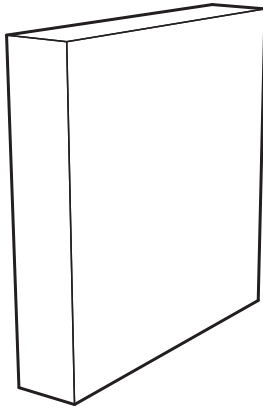
Fastness to rubbing (ISO) dry 4-5, wet 4-5

Pilling Note 4, EN ISO 12945



Fixing Systems

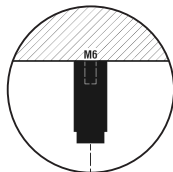
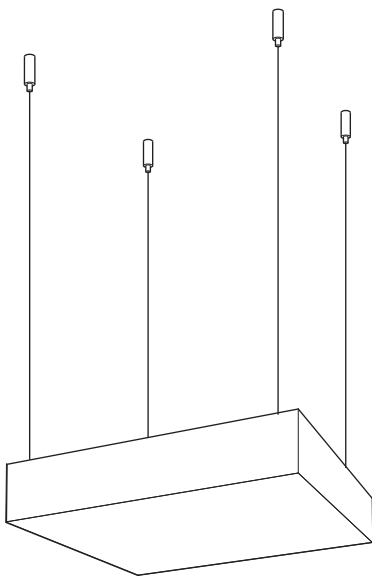
Fixing System Wall (included)



Square | Square Wedge | Hexa | Penta
 Rectangular | Rectangular Wedge

1pc
 2pcs

Fixing System Ceiling Pendant (optional)



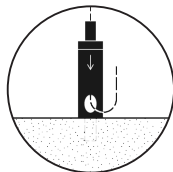
Fixing System Screw

Square | Square Wedge |
 Rectangular |
 Rectangular Wedge:

4 cables per set, incl. fastner
 (Stair bolts M6 not included)

Hexa | Penta:

3 cables per set, incl. fastner
 (Stair bolts M6 not included)

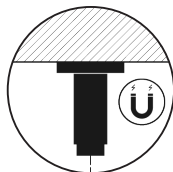


Cables:

200 or 500 cm
 78.74 or 196.85"

Color cable:

Black or Silver



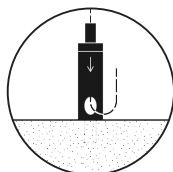
Fixing System Magnet

Square | Square Wedge |
 Rectangular:

4 cables + 4 magnets*

Hexa | Penta:

3 cables + 3 magnets*



Cables:

200 or 500 cm
 78.74 or 196.85"

Color cable:

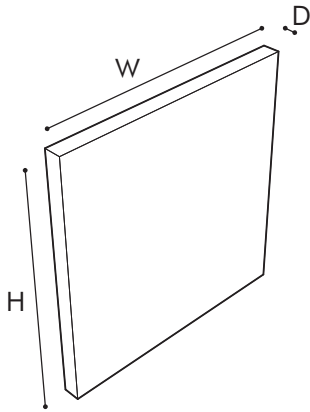
Black or Silver

* 1 magnet can take up to 10 kg | 22.05 lbs when hanging on a solid metal surface.

Dimensions BuzziBlox

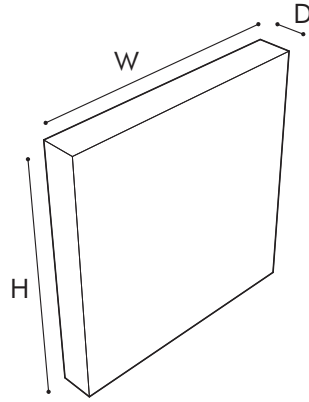
BuzziBlox Square

SQ-4



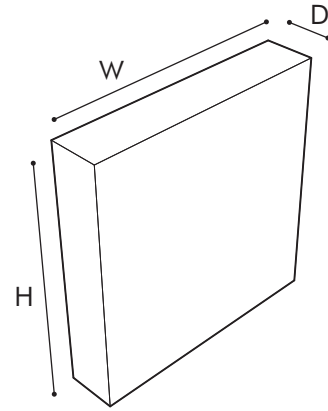
W 59,5 cm H 59,5 cm D 4 cm
W 23.43" H 23.43" D 1.57"

SQ-8



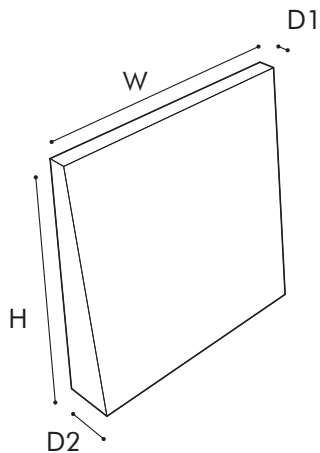
W 59,5 cm H 59,5 cm D 8 cm
W 23.43" H 23.43" D 3.15"

SQ-12



W 59,5 cm H 59,5 cm D 12 cm
W 23.43" H 23.43" D 4.72"

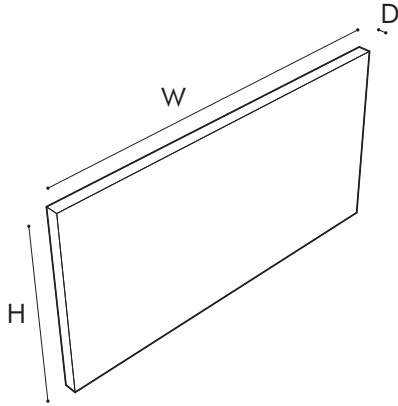
SQ-Wedge



W 59,5 cm H 59,5 cm
D1 4 cm D2 12 cm
W 23.43" H 23.43"
D1 1.57" D2 4.72"

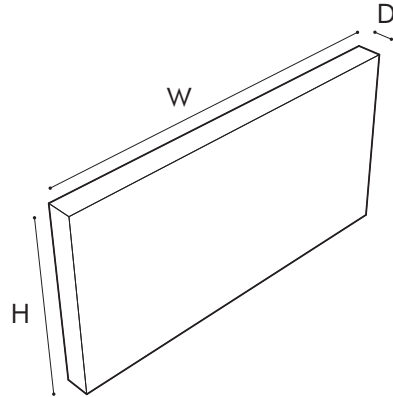
BuzziBlox Rectangular

R-4



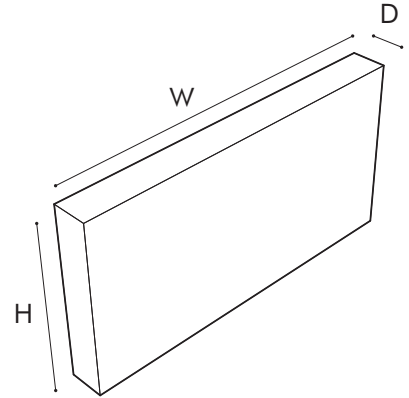
W 119 cm H 59,5 cm D 4 cm
W 46.85" H 23.43" D 1.57"

R-8



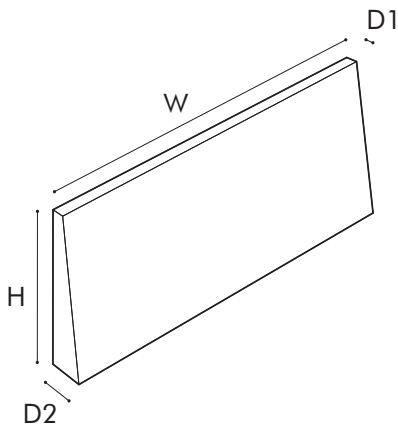
W 119 cm H 59,5 cm D 8 cm
W 46.85" H 23.43" D 3.15"

R-12



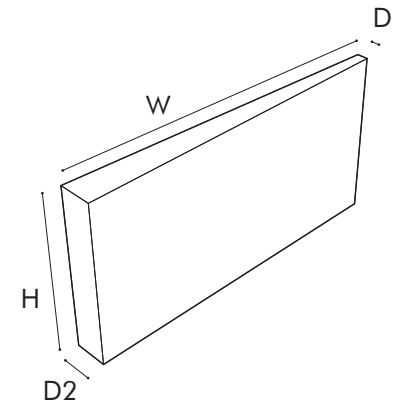
W 119 cm H 59,5 cm D 12 cm
W 46.85" H 23.43" D 4.72"

R-Woss



W 119 cm H 59,5 cm
D1 4 cm D2 12 cm
W 46.85" H 23.43"
D1 1.57" D2 4.72"

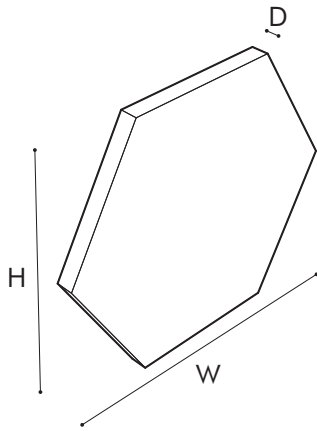
R-Wols



W 119 cm H 59,5 cm
D1 4 cm D2 12 cm
W 46.85" H 23.43"
D1 1.57" D2 4.72"

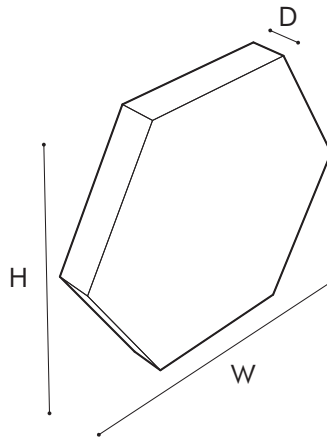
BuzziBlox Hexa

Hexa-4



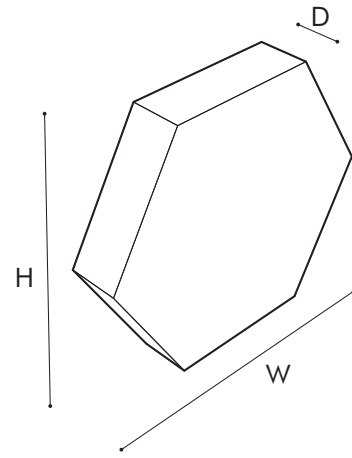
W 60 cm H 69,3 cm D 4 cm
W 23.62" H 27.28" D 1.57"

Hexa-8



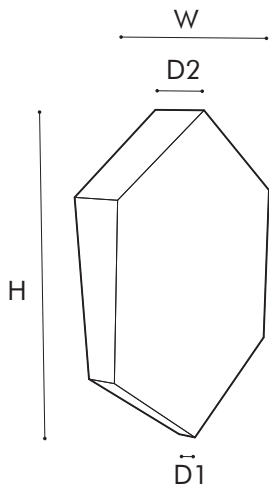
W 60 cm H 69,3 cm D 8 cm
W 23.62" H 27.28" D 3.15"

Hexa-12



W 60 cm H 69,3 cm D 12 cm
W 23.62" H 27.28" D 4.72"

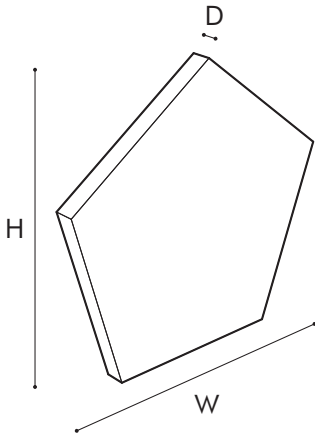
Hexa-Wedge



W 60 cm H 69,3 cm
D1 4 cm D2 12 cm
W 23.62" H 27.28"
D1 1.57" D2 4.72"

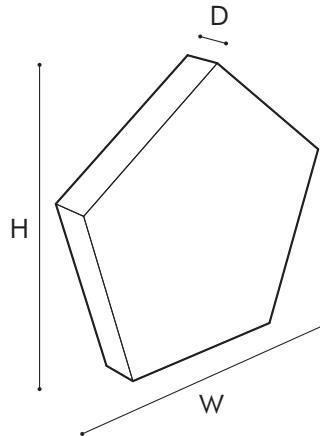
BuzziBlox Penta

Penta-4



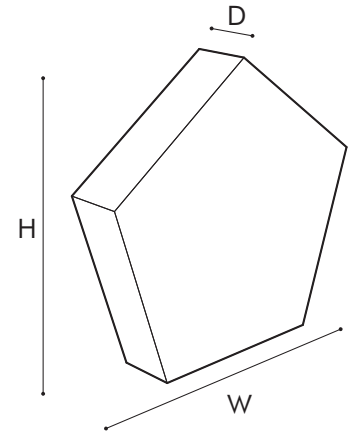
W 60 cm H 63,1 cm D 4 cm
 W 23.62" H 24.84" D 1.57"

Penta-8



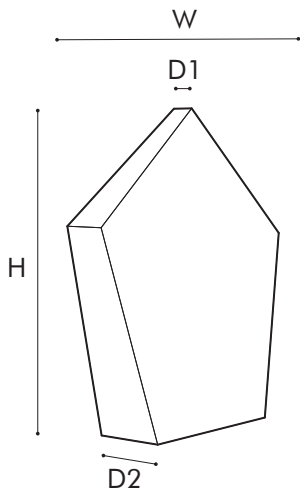
W 60 cm H 63,1 cm D 8 cm
 W 23.62" H 24.84" D 3.15"

Penta-12



W 60 cm H 63,1 cm D 12 cm
 W 23.62" H 24.84" D 4.72"

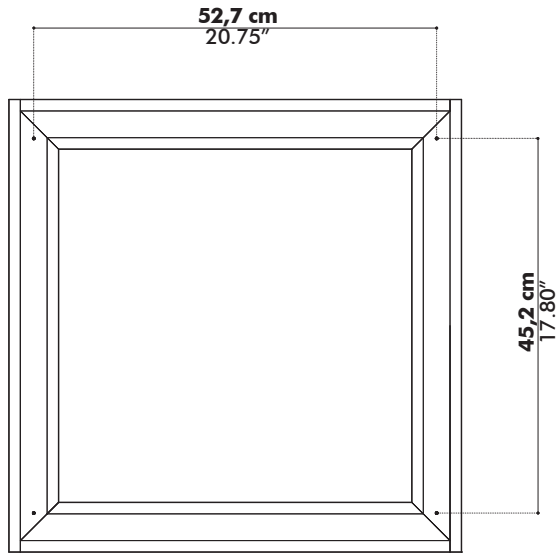
Penta-Wedge



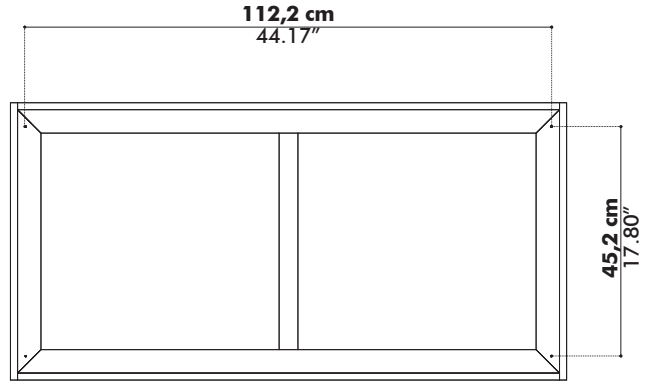
W 60 cm H 63,1 cm
 D1 4 cm D2 12 cm
 W 23.62" H 24.84"
 D1 1.57" D2 4.72"

Dimensions fixing points (only for ceiling pendant)

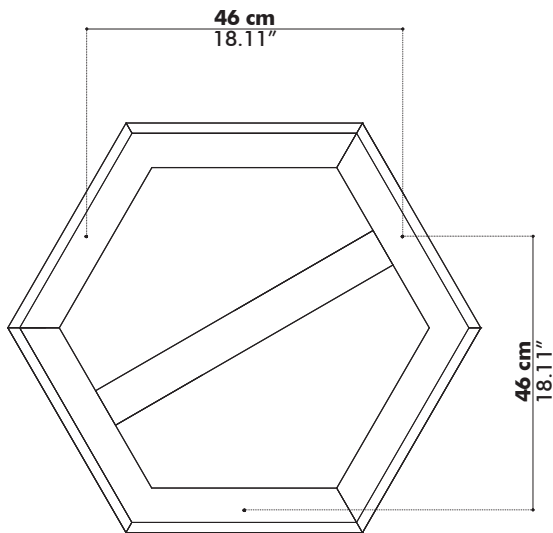
Square | Square Wedge



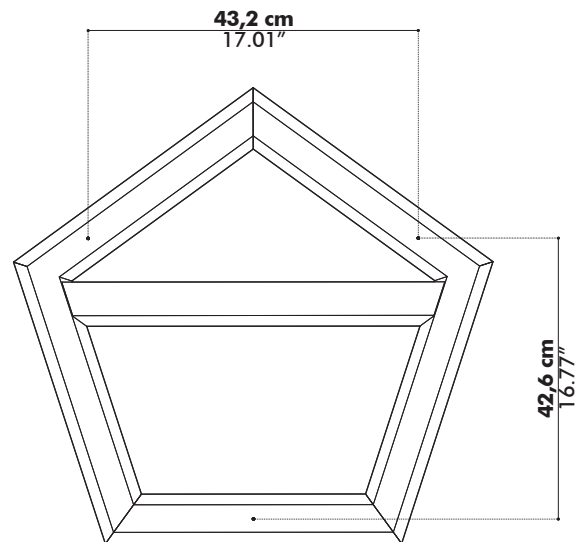
Rectangular | Rectangular Wedge



Hexa | Hexa Wedge



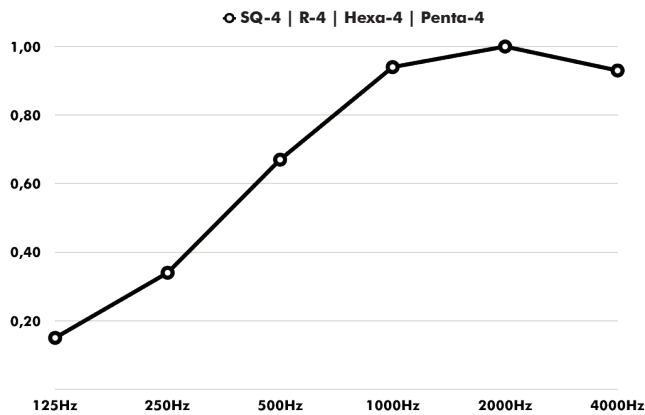
Penta | Penta Wedge



Acoustics

BuzziBlox SQ-4 | R-4 | Hexa-4 | Penta-4

Absorption coefficient



| Hz | α^s |
|------|------------|
| 125 | 0.15 |
| 250 | 0.34 |
| 500 | 0.67 |
| 1000 | 0.94 |
| 2000 | 1.00 |
| 4000 | 0.93 |

Absorption Values

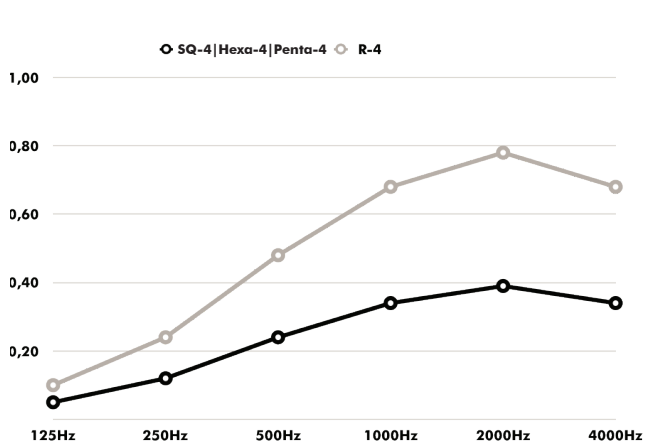
α_w
(ISO 11654) **0.65**

NRC
(ASTM - C423) **0.75**

SAA
(ASTM-C423) **0.76**

Class
(ISO 11654) **C**

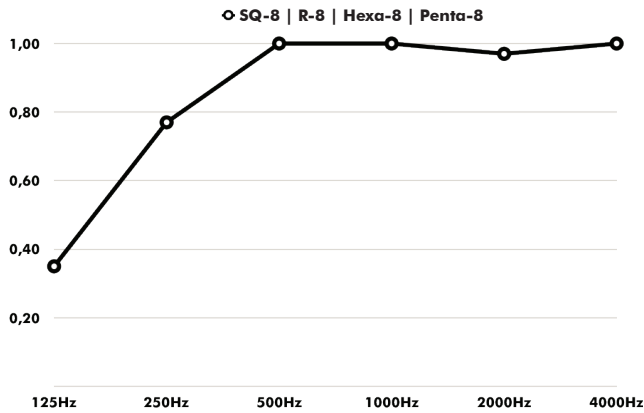
Equivalent sound absorption area in m² per object



| Hz | SQ-4 Hexa-4 Penta-4 Aeq/m ² | R-4 Aeq/m ² |
|------|---|---------------------------|
| 125 | 0.05 | 0.10 |
| 250 | 0.12 | 0.24 |
| 500 | 0.24 | 0.48 |
| 1000 | 0.34 | 0.68 |
| 2000 | 0.39 | 0.78 |
| 4000 | 0.34 | 0.68 |

BuzziBlox SQ-8 | R-8 | Hexa-8 | Penta-8

Absorption coefficient



| Hz | α^s |
|------|------------|
| 125 | 0.35 |
| 250 | 0.77 |
| 500 | 1,00 |
| 1000 | 1,00 |
| 2000 | 0,97 |
| 4000 | 1,00 |

Absorption values

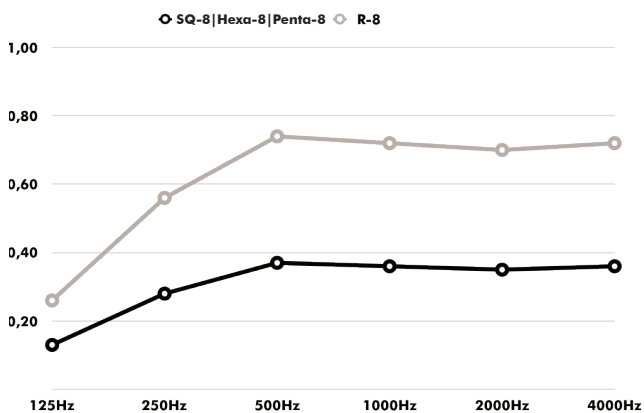
α_w
(ISO 11654) **1.00**

NRC
(ASTM - C423) **0.95**

SAA
(ASTM-C423) **0.95**

Class
(ISO 11654) **A**

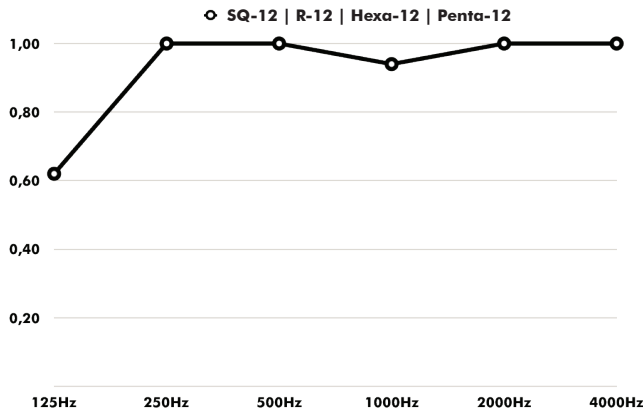
Equivalent sound absorption area in m² per object



| Hz | SQ-8 Hexa-8 Penta-8 Aeq/m ² | R-8 Aeq/m ² |
|------|---|---------------------------|
| 125 | 0.13 | 0.26 |
| 250 | 0.28 | 0.56 |
| 500 | 0.37 | 0.74 |
| 1000 | 0.34 | 0.72 |
| 2000 | 0.37 | 0.70 |
| 4000 | 0.37 | 0.72 |

BuzziBlox SQ-12 | R-12 | Hexa-12 | Penta-12

Absorption coefficient



| Hz | α^s |
|------|------------|
| 125 | 0.62 |
| 250 | 1.00 |
| 500 | 1.00 |
| 1000 | 0.94 |
| 2000 | 1.00 |
| 4000 | 1.00 |

Absorption values

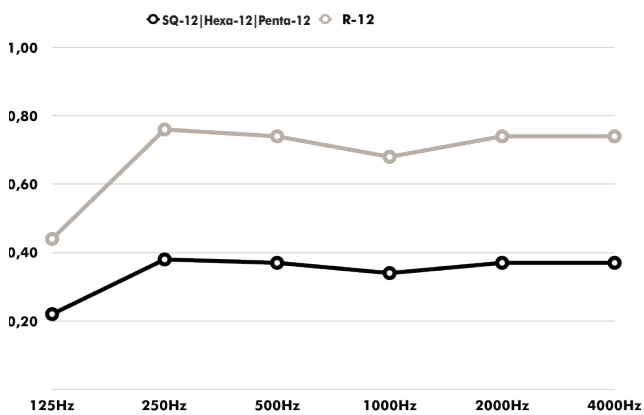
α_w
(ISO 11654) **1.00**

NRC
(ASTM - C423) **1.00**

SAA
(ASTM-C423) **1.00**

Class **A**
(ISO 11654)

Equivalent sound absorption area in m² per object



| Hz | SQ-12 Hexa-12 Penta-12 Aeq/m ² | R-12 Aeq/m ² |
|------|--|----------------------------|
| 125 | 0.44 | 0.22 |
| 250 | 0.76 | 0.38 |
| 500 | 0.74 | 0.37 |
| 1000 | 0.68 | 0.34 |
| 2000 | 0.74 | 0.37 |
| 4000 | 0.74 | 0.37 |

Glossary p.15

Glossary

All calculations are based on accredited lab measurements, official document available on Buzzi.Space

Definitions

| | | |
|----------------------------|---------------------------------|---------------|
| α | Weighted absorption coefficient | (ISO 11654) |
| NRC | Noise reduction coefficient | (ASTM - C423) |
| SAA | Sound absorption average | (ASTM - C423) |

Classification of sound absorbers NEN-EN-ISO 11654

| | |
|----------|---------------------------|
| A | 0.90 0.95 1.0 |
| B | 0.80 0.85 |
| C | 0.60 0.65 0.70 0.75 |
| D | 0.03 0.55 |
| E | 0.15 0.25 |