

BuzziScreen

The folding screen has come back into fashion with a bang! The BuzziScreen is a contemporary take on the flexible room divider with all sorts of advantages. For example, it can be extended infinitely: the handy zipper system makes it easy for you to add panels. Just like with the other BuzziSpace products, you can pin objects, photos or letters to the screen to your heart's content, and of course it works as sound insulation as well. divide up your office or room any way you want, all the time, everywhere!

Design by Sas Adriaenssens



BuzziScreen | Content

COMPOSITION

- outside: cover of felt
- inside: honeycomb carton
- rubber strip

USE

- screens to be connected with zippers
- it is recommended not to put several BuzziScreens in one straight line (go zigzag!)

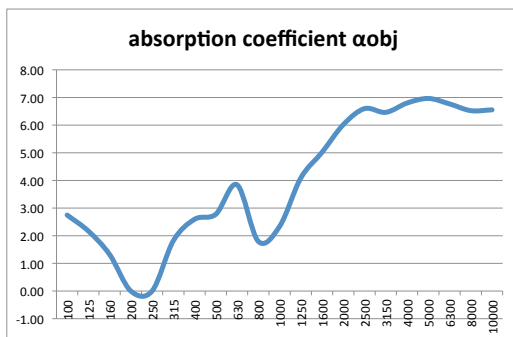
OPTIONS

- BuzziFelt | BuzziFabric | BuzziTerra | BuzziTartan
- BuzziFoot: extra support BuzziScreen
metal powdercoated, RAL 9005 black or RAL 9006 silvergrey

BuzziScreen | Ratings

- Flammability: BuzziFelt: EN 13501-1 + A1: 2009
ASTM E84 Class B certified
BS476 Part 6 and 7 Class 0
- BuzziTerra / BuzziTartan: CRIB 5
CAL 117 PASS
- BuzziFabric: EN 1021.1/2006 | BS EN 1021.1/2006 (cigarette)
EN 1021.2/2006 | BS EN 1021.2/2006 (match)
CAL TB 117

- Acoustic:



Hz	$\alpha_{obj} [m^2]$
125	2.08
250	0.61
500	3.07
1000	2.74
2000	5.88
4000	6.74

Equivalent sound absorption surface for an individual object in m^2

BuzziScreen | Useful Links



Price List



Warranty



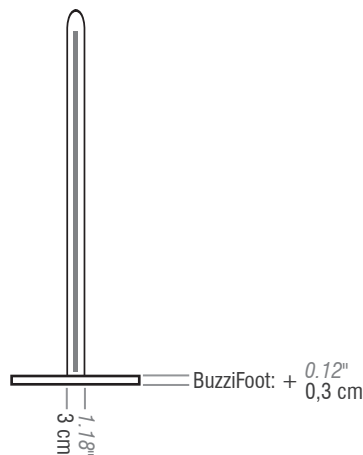
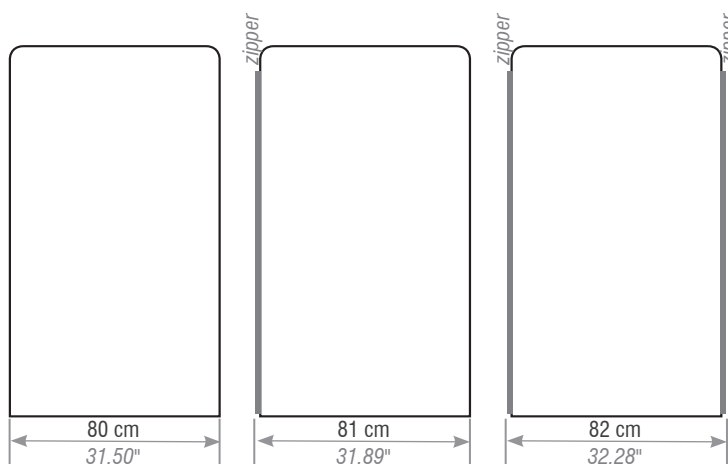
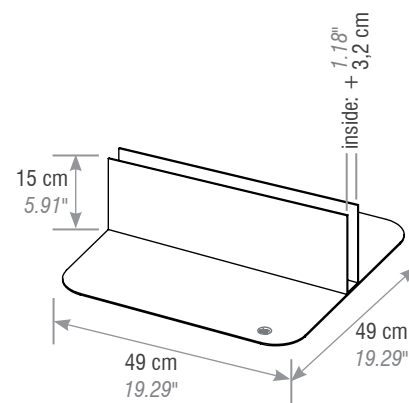
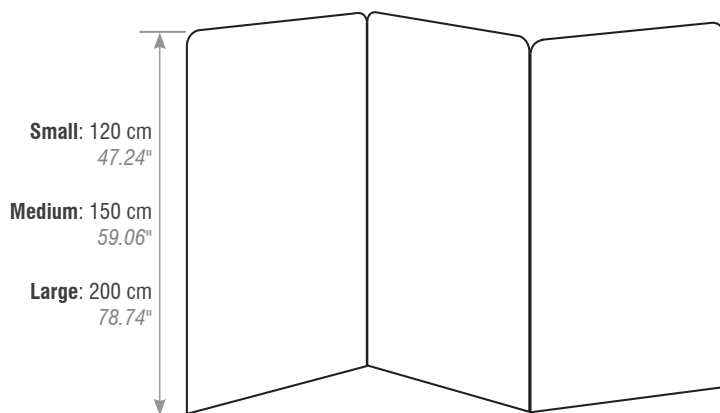
Install. instructions

Questions? Don't hesitate to contact your local agent or distributor

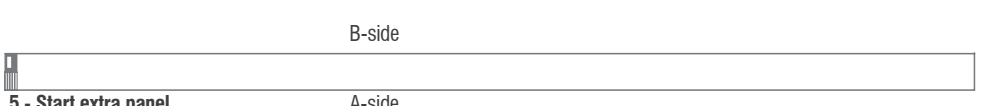
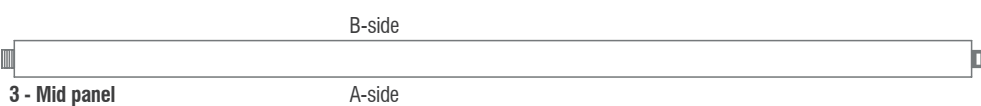
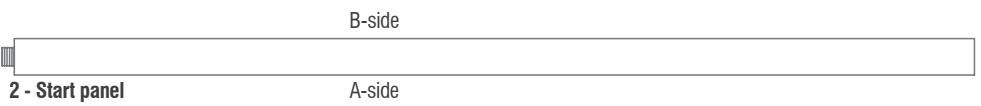
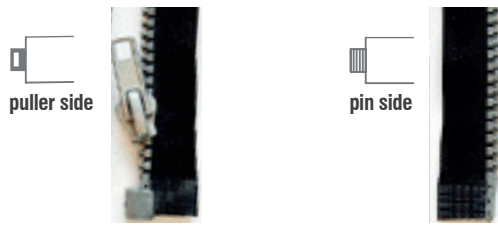


BuzziScreen | Dimensions & Weight

	W x H x D	Weight
SMALL	80 x 120 x 3 cm <i>31.50 x 47.24 x 1.18 "</i>	4,2 kg <i>9.26 lbs</i>
Packaging (incl. 1 BuzziScreen)	82 x 124 x 5,5 cm <i>48.82 x 32.28 x 2.17 "</i>	8 kg <i>17.64 lbs</i>
Packaging (incl. 2 BuzziScreen)	82 x 124 x 8,5 cm <i>48.82 x 32.28 x 3.35 "</i>	12 kg <i>24.46 lbs</i>
MEDIUM	80 x 150 x 3 cm <i>31.50 x 59.06 x 1.18 "</i>	5 kg <i>11.02 lbs</i>
Packaging (incl. 1 BuzziScreen)	82 x 154 x 5,5 cm <i>60.63 x 32.28 x 2.17 "</i>	9 kg <i>19.84 lbs</i>
Packaging (incl. 2 BuzziScreen)	82 x 154 x 8,5 cm <i>60.63 x 32.28 x 3.35 "</i>	14 kg <i>30.86 lbs</i>
LARGE	80 x 200 x 3 cm <i>31.50 x 78.74 x 1.18 "</i>	6,3 kg <i>13.89 lbs</i>
Packaging (incl. 1 BuzziScreen)	82 x 204 x 5,5 cm <i>80.32 x 32.28 x 2.17 "</i>	10 kg <i>22.05 lbs</i>
Packaging (incl. 2 BuzziScreen)	82 x 204 x 8,5 cm <i>80.32 x 32.28 x 3.35 "</i>	22 kg <i>48.50 lbs</i>
option BuzziFoot	49 x 49 x 3,8 cm <i>19.29 x 19.29 x 1.50 "</i>	9,3 kg <i>20.50 lbs</i>
Packaging (incl. 1 BuzziFoot)	51 x 51 x 40 cm <i>20.08 x 20.08 x 15.75 "</i>	10 kg <i>22.05 lbs</i>
Packaging (incl. 2 BuzziFoot)	51 x 51 x 75 cm <i>20.08 x 20.08 x 29.53 "</i>	19,3 kg <i>42.55 lbs</i>



BuzziScreen | Topviews



BuzziScreen | Combinations: examples

