



---

# BuzziShade 220-240V

## Product Specification Sheet

---

This document contains technical information about the BuzziShade pendant and standing

---

·BUZZI  
SPACE

[www.buzzi.space](http://www.buzzi.space)

**The BuzziShade combines lit surroundings with acoustic performance.**

The design prevents eavesdroppers from hearing your private conversations, and reduces external noise levels to a minimum. The BuzziShade is extremely versatile. The perfect addition to any office, waiting room or restaurant and is ideal for large-scale events. Be creative in colour by adding a layer of fabric to the BuzziFelt shades. The BuzziShade is the culmination of an artistic collaboration between BuzziSpace and the four young Belgian furniture designers of Stal Collectief.

Designed by Stal Collectief

---

## General

-  Pendant | Standing
-  BuzziFelt cover  
Powder coated metal frame  
Fabric power cord  
Metal cable set
-  220 - 240V 50/60Hz  
E27 fitting  
Max. 60W
-  Dry usage
-  Assembled

---

## Acoustics



Absorption

---

## Content

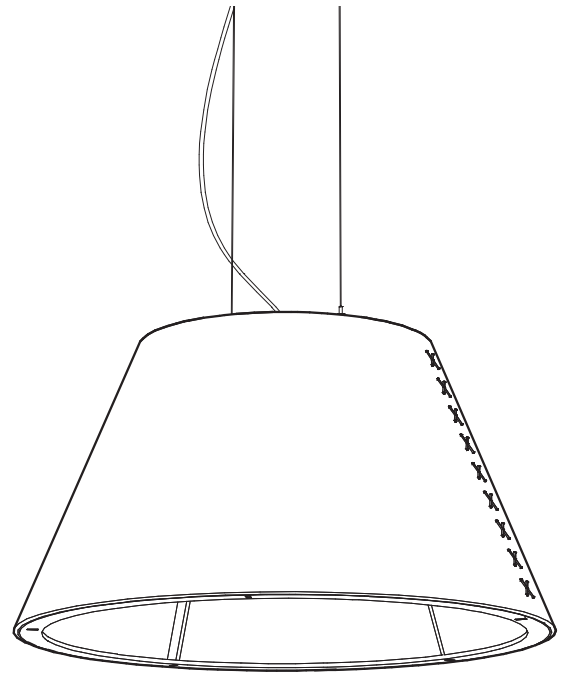
Configurations	3
Technical components	4
Fabrics	6
Dimensions	8
Acoustics	11

# Configurations

---

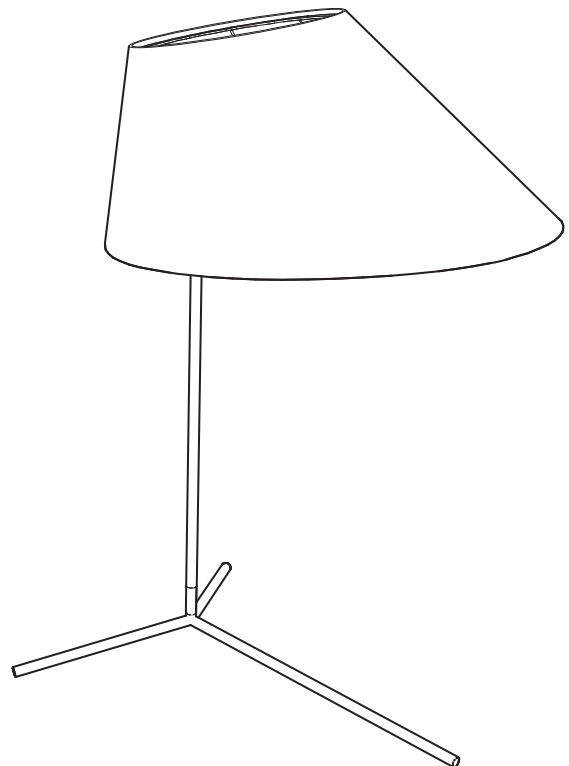
## BuzziShade Pendant

- ◆ Medium | Large
- ◆ BuzziFelt cover with lace
- ◆ Metal frame in black, white, aluminium or fluorescent orange
- ◆ Metal cable set in silver or black
- ◆ Fabric power cord in black, red or fluorescent orange
- ◆ Height: 42 cm (Medium) or 62 cm (Large)
- ◆ Diameter: Ø 40 cm - Ø 74 cm (Medium)  
Ø 59 cm - Ø 112 cm (Large)
- ⚖ Medium: 4 kg  
Large: 8 kg
- ◆ Lace: Black | White | Fluorescent orange
- ◆ Optional extra layer Fabric | Terra inside or outside
- ◆ Cable set: 200 cm | 500 cm, Silver | Black



## BuzziShade Standing

- ◆ BuzziFelt cover with lace
- ◆ Metal frame in black, white or fluorescent orange
- ◆ Fabric power cord in black, red or fluorescent orange
- ◆ Black footswitch
- ◆ Height: 222 cm
- ◆ Diameter: Ø 69 cm - 144 cm
- ⚖ 18 kg
- ◆ Lace: Black | White | Fluorescent orange



# Technical components

---

## BuzziShade Pendant

### Frame

Metal frame available in following colours:

Powder coated white		RAL 9010
Powder coated black		RAL 9005
Fluorescent orange		RAL 2005
Aluminium		not powder coated



### Fitting | Power cord

E27 fitting  
Fabric power cord

<b>Colour frame</b>	<b>Colour fitting</b>	<b>Colour fabric power cord</b>
Black	Black	Black
White	White	Red
Fluorescent orange	Black	Fluorescent orange
Aluminium	Black	Black



---

# BuzziShade Standing

## Frame

Metal frame available in following colours:

Powder coated white | RAL 9010

Powder coated black | RAL 9005

Fluorescent orange | RAL 2005



## Fitting | Power cord

Black bakelite fitting E27 fitting

Fabric power cord

<b>Colour frame</b>	<b>Colour fitting</b>	<b>Colour fabric power cord</b>
Black	Black	Black
White	White	Red
Fluorescent orange	Black	Fluorescent orange

Power cord has a length of 250 cm finished with a plug and footswitch.

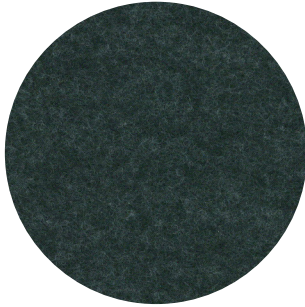
## Power switch

Black footswitch

# Fabrics

---

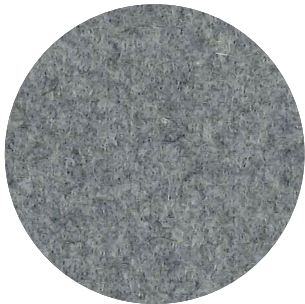
## Felt



**Composition** 100% Recycled P.E.T. Felt  
**Weight** 1.000 g/m<sup>2</sup> | 29.49 oz/yd<sup>2</sup>  
**Abrasion resistance** >7.000 Martindale  
**Flammability** EU: EN 13501.1+A1/2009  
BS476 Part 6 and 7 Class 0  
USA: ASTM E84 Class B certified  
**Fastness to light** USA 5



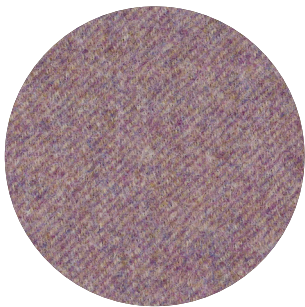
## Fabric



**Category** A  
**Composition** 70% Recycled Wool, 25% Recycled Polyacryl,  
5% Recycled Other Fabrics  
**Weight** 405 g/m<sup>2</sup> | 11.94 oz/yd<sup>2</sup>  
**Abrasion resistance** 40.000 Martindale, 50,000 Wyzenbeek  
**Flammability** EU: EN 1021.1/2006 | BS EN 1021.1/2006 (cigarette).  
EN 1021.2/2006 | BS EN 1021.2/2006 (match)  
USA: CAL TB 117 | ASTM E84 CLASS A  
**Fastness to light** EU 4 | USA 4  
**Fastness to rubbing** EU: Wet 3-4 | Dry 4-5  
**Fastness to crocking** USA: Wet 5 | Dry 5



## Terra



**Category** B  
**Composition** 100% Pure New Wool  
**Weight** 370 g/m<sup>2</sup> | 10.91 oz/yd<sup>2</sup>  
**Abrasion resistance** 40.000 Martindale, 25,000 Wyzenbeek  
**Flammability** EU: BS5852 CRIB 5 | BS5867 PART 2 : 2008 : TYPE B  
EN 1021.2/2006 | USA: CAL TB 117  
**Fastness to light** EU 5 | USA 5  
**Fastness to rubbing** EU: Wet 4 | Dry 4  
**Fastness to crocking** USA: Wet 4 | Dry 4



---

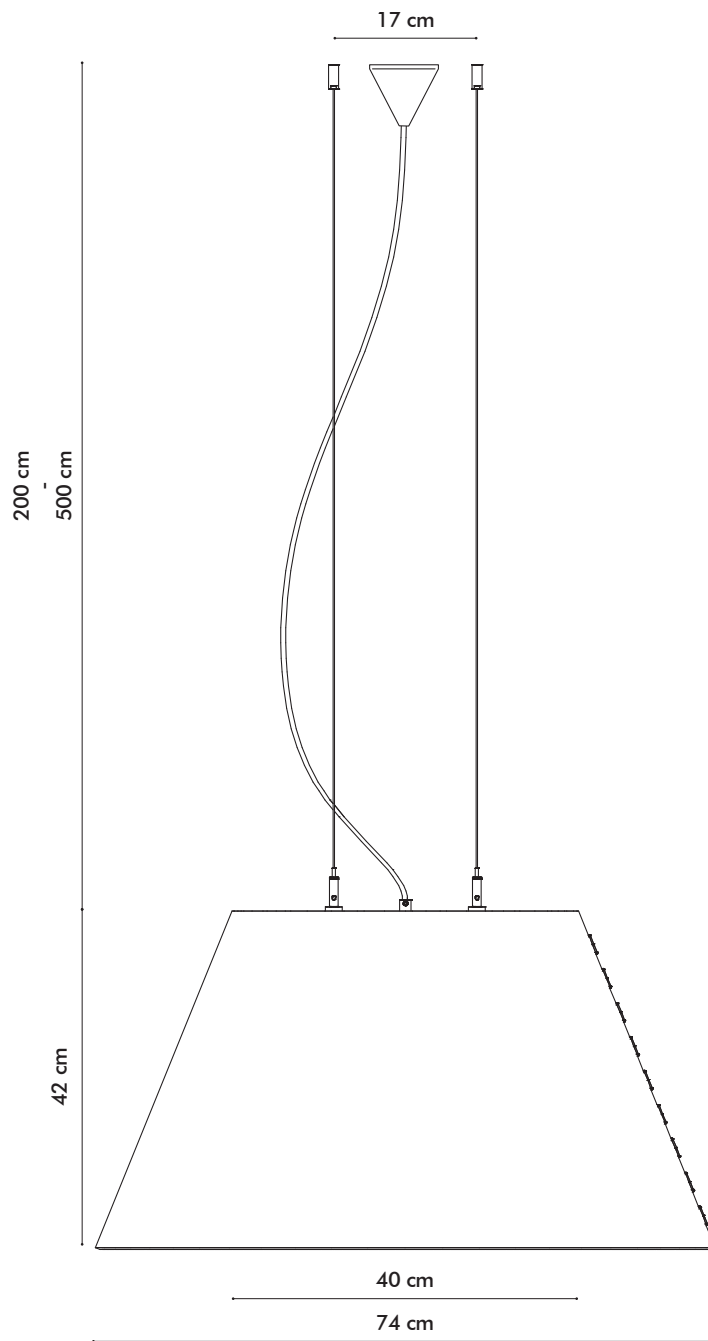
## Lace

Lace black | white | fluorescent orange



# Dimensions

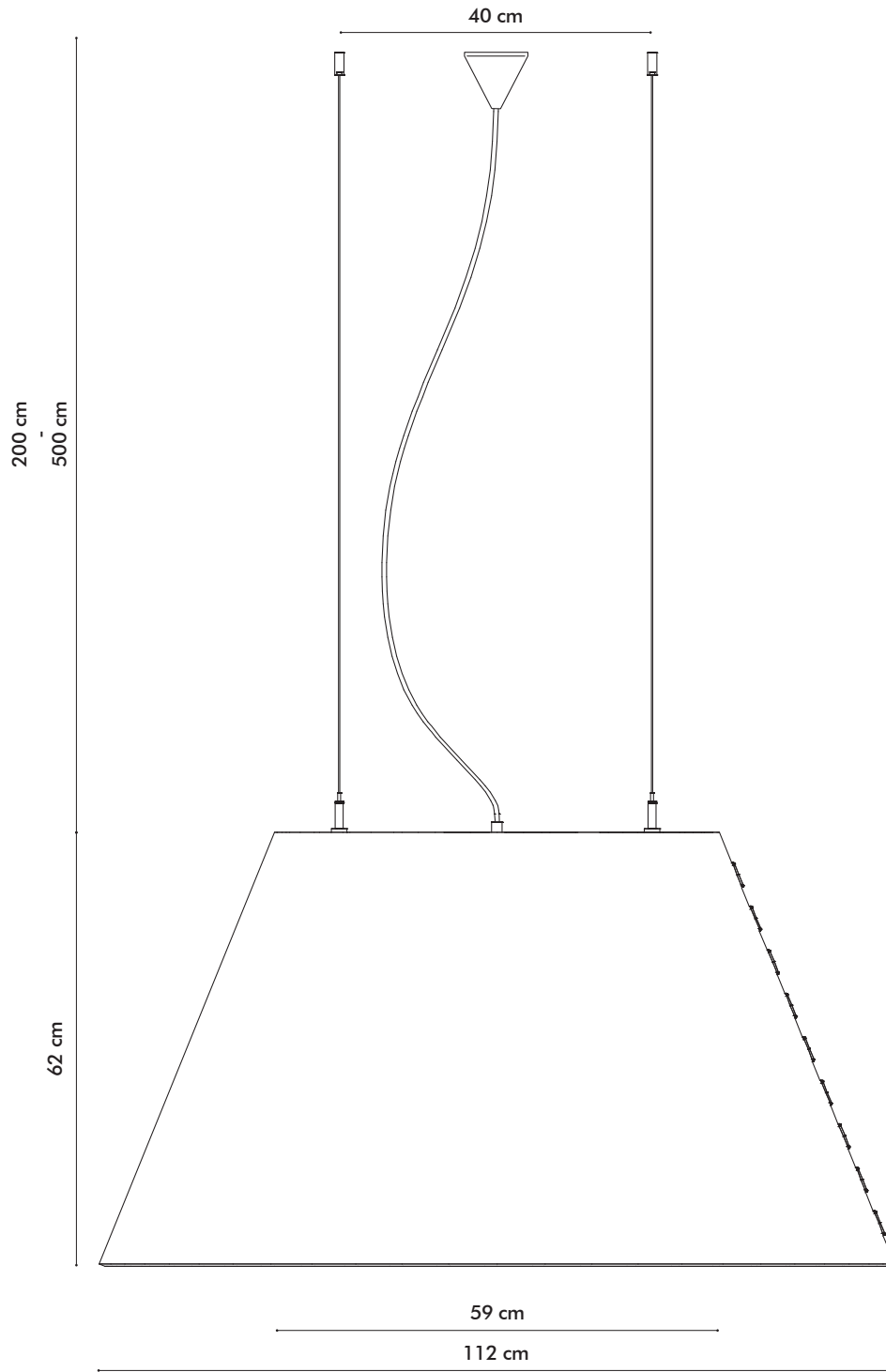
## BuzziShade Pendant Medium



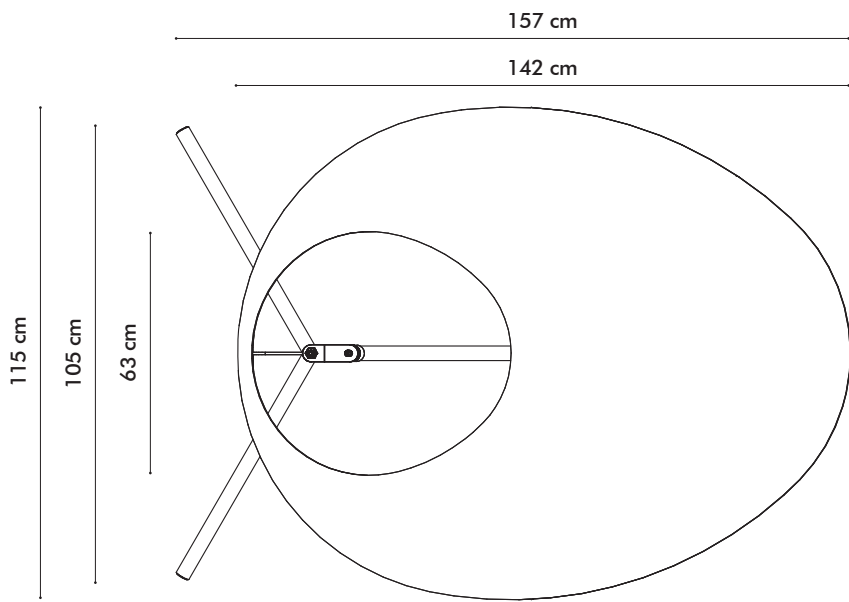
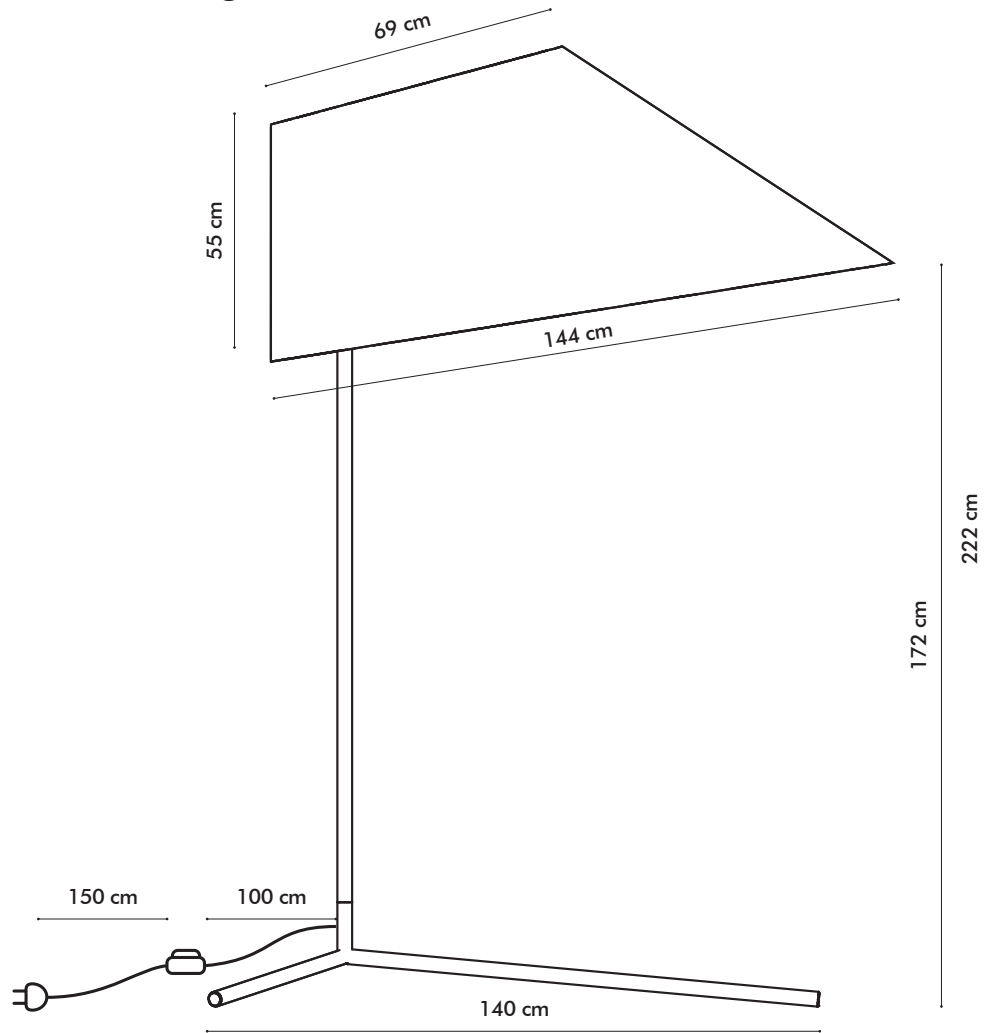


---

# BuzziShade Pendant Large



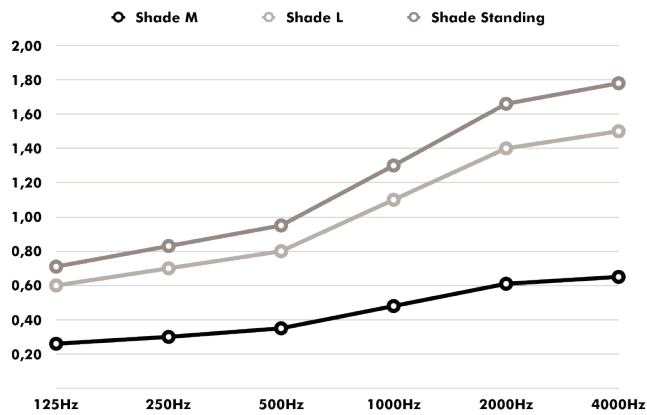
# BuzziShade Standing



# Acoustics

## BuzziShade

Equivalent sound absorption area in m<sup>2</sup> per object



Hz	Shade M Aeq/m <sup>2</sup>	Shade L Aeq/m <sup>2</sup>	Shade Standing Aeq/m <sup>2</sup>
125	0.26	0.60	0.71
250	0.30	0.70	0.83
500	0.35	0.80	0.95
1000	0.48	1.10	1.30
2000	0.61	1.40	1.66
4000	0.65	1.50	1.78