



SLAT C

TECHNICAL DATA

		
a	Seat width	
A	Total width	
p	Seat depth	
P	Total depth	
h	Seat height	a 48 A 65
H	Total height	p 42-49 P 61
Kg	Weight in Kg	h 40-49 H 97-106
d	Dimensions	Kg 13,4 d --
Ta	Seat cloth	Ta Tr
Tr	Seat back cloth	Pa Pr
Pa	Seat leather	
Pr	Seat back leather	

FEATURES

Seat

- ▶ Seat height adjustment
- Seat depth adjustment

Arms

- ▷ Adjustable armrest height

Seat back

- ▶ Adjustable seat back height
- Adjustable seat back tension
- Locking seat back



SLAT C

DESCRIPTION

Backrest

Elastic, technical mesh, fastening removable from perimeter frame. Its tautness ensures that the user's back is properly supported. Non-deformable. Fabric feel.

The lumbar support consists of 4 polypropylene slats operated by two handles which adjust the height of the lumbar support to 3 positions over 50 mm.

Maximum tilt of backrest 20°.

Seat

Support, mould injected in polypropylene with flexible rubber foam with an average thickness of 55 mm and a density of 42 kg/m³, onto which the upholstery is fitted.

Depth adjustable thanks to a system with 8 different positions over 70 mm,

Chair height adjustable by air-oil piston with optional damper effect.

1D Arms

Polyamide support. Pleasant-to-the-touch polypropylene armrest on top. Fixed to the seat.

- Height adjustable with 11 lock positions over 100 mm.

Mechanism

Spring-action mechanism.

Synchronisation of backrest-seat movement with a movement ratio of 3 to 1. Permanent contact position, the mechanism can be left free so that the backrest follows the movements of the user.

Multi-position, backrest lockable at 4 positions. With anti-return system.

Pressure set by a lever to customise the pressure of the backrest. Range from 40 to 120 kg.

Base

Polyamide fiber.

50-mm diameter caster wheels. Optional hard-floor and soft-floor caster wheels.

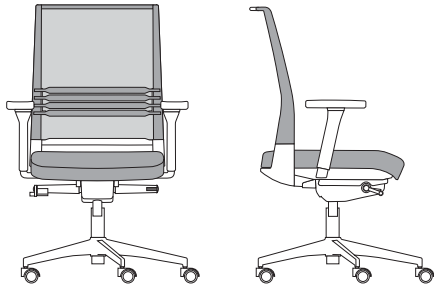


dynamobel



SLAT C

RANGE



CERTIFICATIONS AND STANDARDS

