

Movinord

Office Concept

# ie overview

GEOMETRY, DIVERSITY,  
TRANSFORMATION

**ie**® transcends prior concepts of planning, providing virtually infinite freedom of form, function and look. Designed in Europe, **ie** is based on a post-and-beam structure that acts as an architectural framework for interior and exterior workspaces. The post accommodates workstation planning and angle connections

at 15-degree intervals, greatly enlarging the compass of planning possibilities. A simple set of multi-use components creates diverse layouts, delivering long-term value through reduced cost of ownership. The genius of **ie** rests in its elegant and dynamic design, which delivers infinite geometries for planning.

KEY FEATURES & BENEFITS

- Planning Freedom – planning around the post at every 15-degree interval enables virtually unlimited layout variations
- Reconfiguration – the same set of integrated components are used to create and reconfigure layouts with minimal inventory management
- Diverse Applications – vertical posts stack in 20-inch increments, permitting multiple planning concepts from fully featured post-and-beam structures to simple freestanding desking
- Appearance – create the look required by selecting different materials and colors, with minimal change of inventory

## 120-degree



Angle connections at 120-degrees can extend from workstation pods to create a separate lounge or meeting area.

## 90-degree



Even with the most common 90-degree angle, **ie** takes multiple forms. The modularity of the structural post allows varying heights of space division and material application.

## architectural



In its most advanced application, **ie**'s post-and-beam structure is utilized as an architectural framework, delineating space on a larger scale. Cabins create interior spaces and semi-enclosed meeting rooms or offices; and function equally well as standalone spaces or adjacent to work areas.

## benching



Bench desk applications provide the capability of planning an uninterrupted work platform highly conducive to multiple-user and collaborative work environments.

## semi-enclosed



A selection of screens – ranging from translucent to solid materials – divide space, create privacy and contribute to a distinctive aesthetic.

# Planning freedom

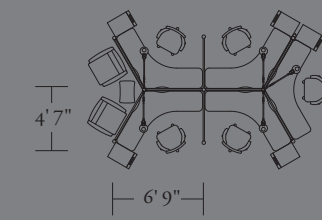
**ie** is a geometry of the imagination. Designed around the concept of a post-and-beam structure, **ie** provides an architectural framework that defines interior and exterior work areas and provides a platform for worksurfaces, screens, storage, lighting and power/data delivery.

## 15-DEGREE PLANNING

- **ie** permits not only the more conventional 90- and 120-degree planning, but planning around the post at every 15-degree interval
- The post also allows for numerous angle connections – pods can extend from the post and connect to form clusters at any 15-degree angle
- In effect, **ie** wraps around columns, beams or other elements – almost anything becomes possible

## BENEFITS

- An infinitely variable geometry enabling virtually unlimited layout variations
- Permits greater floorplan density
- Allows optimal use of available space
- Populates space to fit work patterns rather than planning to accommodate architectural restrictions



## LAYOUT 1

- 120-degree pod with 90-degree angle connection
- Potential occupancy space for six workers
- Post height elevation 51 inches



POSTS, BEAMS,  
SUPPORTS:  
*Foundation – Storm White*

WORKSURFACES:  
*Seamless Color –  
Storm White*

MEMBRANE SCREENS:  
*Screenweave –  
Basketweave 10%,  
Clear Translucent*

MOBILE PEDESTAL  
WITH SEAT:  
*Foundation – Storm White  
Seating Upholstery –  
Leather, White*

SEATING:  
*Metrix task chairs, Vasari  
lounges chairs and tray:  
Upholstery – Leather, White*

# Reconfiguration

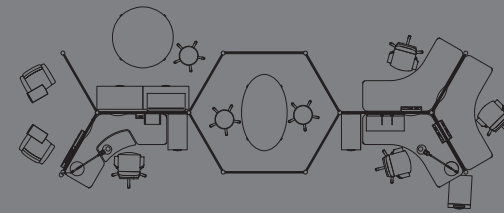
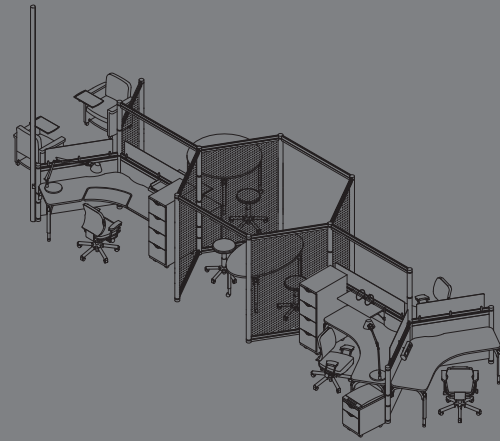
**ie** consists of a concise, integrated set of multi-use, non-handed components that migrates freely from highly featured architectural post-and-beam clusters to a simple desking environment. The same set of parts is employed to create and reconfigure layouts.

## LAYOUT VARIATIONS

- Architectural – the post-and-beam structure is utilized to create an architectural framework which divides interior and exterior spaces on a larger scale
- Post-and-beam – pods are arranged around a central post to create more open work areas
- Desking – in its simplest form, **ie** can be configured as freestanding desk units

## BENEFITS

- Minimal inventory management reduces costs
- Provides exceptional value at acquisition
- Reduced cost of ownership over the long term
- Reusable parts promote environmental responsibility



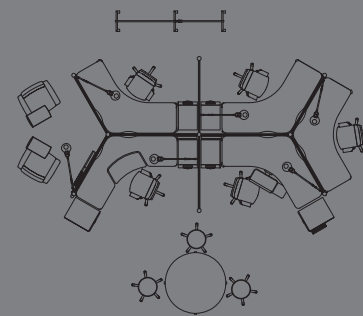
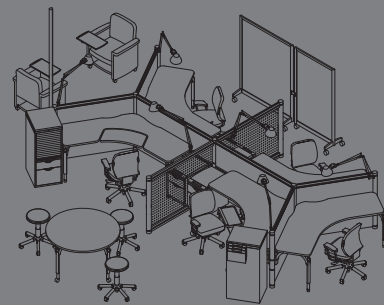
## LAYOUT VARIATION

### LAYOUT A – ARCHITECTURAL

- 120-degree pod with 120-degree angle connection
- 284 ft<sup>2</sup> with potential occupancy space for eight workers
- Post height elevation 83, 63 and 43 inches

## LAYOUT RECONFIGURATION

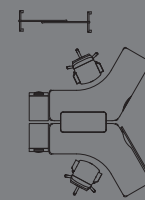
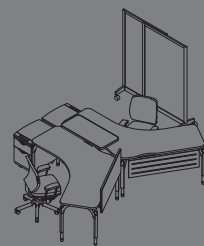
- 120-degree fully featured architectural post-and-beam structure



### LAYOUT B – POST-AND-BEAM

- 120-degree pod with 90-degree angle connection
- 237 ft<sup>2</sup> with potential occupancy space for six workers
- Post height elevation 43 inches

- Using inventory from Layout A, these pods have now been transformed to an open post-and-beam work cluster
- Membrane Screens have been added for space division



### LAYOUT C – DESKING

- 120-degree freestanding pod
- 77 ft<sup>2</sup> with potential occupancy space for three workers

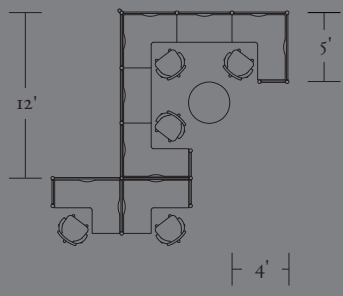
- A freestanding desking area can be reconfigured using components from either Layout A or B
- The addition of a Desk-Mounted Screen provides space division, and a Modesty Panel offers privacy in the open plan

# Height modularity

To create varying height levels, **ie** employs modular vertical posts that stack in increments of 20 inches – offering heights of 23, 43, 63 and 83 inches. Posts 51 inches in height are also available, providing seated privacy. Modules can be added or removed at any time during or following installation, without disrupting the workstation.

### BENEFITS

- Minimizes downtime by maintaining workflow
- Reduces cost of installation or reconfiguration
- Permits varying heights of space division, privacy and material application



### LAYOUT 2

- 90-degree pod with 90-degree angle connection
- Potential occupancy space for five workers
- Post height elevation 63, 51 and 43 inches



POSTS, BEAMS, SUPPORTS: *Mica – Patina*

WORKSURFACES, TABLE SURFACE: *Foundation Laminate – Geo-Micro Cool Edge Trim – Storm White*

INSET SCREENS: *Glass – Clear and Frost*

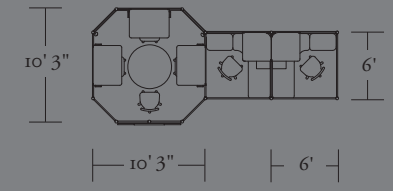
SEATING: *Metrix: Upholstery – Leather, White*

# Creating enclosure

Posts 83 inches in height create cabin enclosures and provide a simple means of establishing an architectural grid that delineates zones and links adjacent work areas. Beams span widths from 12 to 114 inches, and connect to the post at heights of 1½, 23, 43, 51, 63 and 83 inches – forming a horizontal framework which can be left open or enclosed with various screen and lighting options.

## BENEFITS

- Offers the versatility to create interior or combined interior/exterior spaces
- Baffles provide an architectural overhead enclosure
- Frame structure supports overhead storage
- Privacy Screens provide enclosure for private applications
- Whiteboard and Accessory Screen options increase functionality within cabin spaces



## LAYOUT 3

- 90-degree pod with 120- and 180-degree angle connections
- Potential occupancy space for two workers and meeting area for eight people
- Post height elevation 83 inches



POSTS, BEAMS, STORAGE, SUPPORTS: *Foundation – Storm White*

WORKSURFACES, TABLE SURFACE: *Flintwood – Natural Pecan*

MEMBRANE SCREENS: *Screenweave – Basketweave 10%, Bronze Translucent*

CLAMP-ON SCREENS, INSET SCREENS: *Laminate – Source Translucent Frost*

PRIVACY SCREEN: *Laminate – Storm White Accessory – Foundation, Storm White*

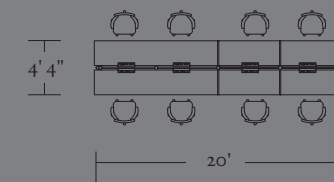


## Diverse applications

ie lends itself to virtually any application: simple workstations, casual meeting areas, high-density call centers and complex, fully featured clusters. Bench desks configure to create long, fluid platforms – maximizing use of linear space with minimal components.

### BENEFITS

- Create multiple planning concepts while maintaining a consistent look throughout the workplace
- Encourages the exploration of new planning possibilities without additional investment
- Do more with less by utilizing the same set of components for all applications



### LAYOUT 4

- 90-degree pod with 180-degree angle connection
- Potential occupancy space for eight workers
- Post height elevation 23 inches (for under-worksurface bench supports) and 43 inches



POSTS, BEAMS,  
SUPPORTS:  
*Mica – Platinum*

WORKSURFACES:  
*Flintwood – Dark Olive*

MEMBRANE SCREENS:  
*Screenweave –  
Basketweave 10%,  
Silver Translucent*

DIVISIONAL  
SCREENS:  
*Panel Fabric –  
Ring Toss, Skill*

SEATING:  
*Metrix: Upholstery –  
Leather, Chocolate*



# Space division

A variety of screen options creates space division and adds casual height in post-and-beam and freestanding applications. All screen combinations are available within ie's post-and-beam structure to maximize functionality, vary aesthetics and achieve varying degrees of privacy and enclosure.

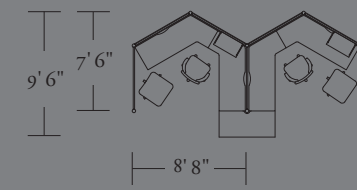
Fabric Inset Screens provide the highest level of privacy and acoustic control. Spaces between horizontal beams can be left open to create an architectural framework.

## SCREEN STYLES

- Membrane Screens – consist of a single layer of open mesh fabric tensioned between two horizontal beams
- Inset Screens – sit between the post-and-beam structure; material options include fabric, translucent, whiteboard, accessory, perforated and embossed metal

## BENEFITS

- Screens may be easily changed without dismantling the workstation
- Semi-transparent Membrane Screens provide light and air transmission
- Translucent Screens provide light transmission
- Modular posts allow space division to be increased or decreased as functional, aesthetic and privacy needs change



## LAYOUT 5

- 120-degree pod with 120-degree angle connection
- Potential occupancy space for two workers
- Post height elevation 63 inches



POSTS, BEAMS,  
STORAGE, SUPPORTS:  
*Foundation –  
Storm White*

WORKSURFACES,  
TABLE SURFACE:  
*Foundation Laminate –  
Blonde Stria  
Edge Trim – Warm Grey*

MEMBRANE SCREENS:  
*Screenweave –  
Norway, Bergen White*

INSET SCREENS:  
*Fabric – Panel Fabric,  
Nitty Gritty, Think  
Accessory – Foundation,  
Storm White*

SEATING:  
*Metrix: Upholstery –  
Leather, White*

# Appearance

ie is chameleon-like in its ability to change appearance and aesthetics. It is capable of visually blending with other systems furniture and architectural surroundings or, by contrast, completely standing out. Achieve the exact look desired by selecting different materials and colors, updating or renewing appearance with minimal change of inventory, time and cost.

## CUSTOMIZE THE LOOK

- The versatility of ie's post-and-beam structure accepts custom screen selections
- Any custom 5mm-thick material – glass, acrylic, laminate – works with ie
- Custom prints are also accommodated on Teknion's standard membrane screens



^  
STANDARD FABRIC SCREEN  
Panel Fabric, India, Orissa



^  
STANDARD MEMBRANE SCREEN  
WITH CUSTOM PRINT  
Basketweave 10%, Clear Translucent



^  
CUSTOM-COLORED ACRYLIC SCREEN



^  
CUSTOM-PATTERNED ACRYLIC SCREEN

## Casual screens

>> In addition to Membrane and Inset Screens, Desk-Mounted, Beam-Mounted and Free-standing Mobile Screens offer casual space division and provide a cost-effective alternative that also preserve *ie*'s clean, light look.

## Baffles

>> Designed as an architectural element, Baffles serve as overhead space division and provide a sense of enclosure and privacy within the open plan.



^  
**CLAMP-ON SCREENS**  
Clamp-On Screens attach to the top of beams to casually delineate space, and are easily repositioned as needed.



^  
**DESK-MOUNTED SCREENS**  
Available in translucent and fabric options for varied functional needs, Desk-Mounted Screens mount to the rear edge of worksurfaces to provide casual privacy and space demarcation above worksurface height.



^  
**DIVISIONAL SCREENS**  
Divisional Screens are specifically for use with bench applications, providing territorial definition within a continuous workspace. The screens slide along the worksurface edge for positioning anywhere across a bench desk.



^  
**LINEAR BAFFLE**  
Linear Baffles mount to the beam for either single- or double-sided use. All Baffles mount within workstation or cabin applications at 63 or 83 inches high.



^  
**ELLIPTICAL BAFFLE**  
Elliptical Baffles mount in either post or beam applications. Baffles offer a white knit fabric easily removable for cleaning.

# Tables

>> **ie** offers a series of complementary Tables ideal for individual, collaborative or shared work activities. Mobile Side Tables offer users a secondary, height-adjustable worksurface and can also be used for small meetings.

# Worksurface supports

>> **ie** worksurface support options enable post-mounted and freestanding applications. Table Legs offer the primary support used in combination with Table Brackets for height adjustability and Beam-Mounted Worksurface Supports for off-modular planning. Additional supports include the Cantilever Bracket and Foot, ideal for optimal knee clearance.

# Storage

>> **ie** includes a full line of mobile and freestanding storage units for active and conventional work patterns, including Stretch Pedestals, Kiosks and Tall Mobile Pedestals. Mounted storage includes beam-mounted Shelves in

either a standard or upmount style, and the Universal and Standard Overheads offered in Teknion's Filing & Storage program.

# Cord management

>> To manage above-worksurface lighting and computer cords, the Cord Manager provides casual and user-directed cord management capabilities from the post or beam to power/data access points.



^ **ROUND TABLE**  
A Round Table with Stretch Pedestals and Upmount Shelf creates a casual meeting/reference area with Membrane Screens.

^ **TABLE LEG AND BRACKET**  
The Table Leg and Table Bracket provide an 8-inch height adjustable range for worksurfaces. The Table Bracket attaches to the post at any 15-degree angle to facilitate individual or shared support.

^ **PEDESTAL SUPPORTING BRACKET KIT**  
Freestanding Pedestals also function as a worksurface support when used with a Pedestal Supporting Bracket Kit, which attaches to the underside of a worksurface.

^ **STRETCH PEDESTALS**  
Stretch Pedestals provide adjacent storage space for all workstation applications, accommodating letter and A-4 size filing in front-to-back and side-to-side configurations.

^ **STANDARD SHELF**  
The Standard Shelf attaches off-module anywhere along the beam to provide above-worksurface storage.

^ **STREAM CORD MANAGER**  
The Stream Cord Manager routes cords horizontally along the beam. The Point Cord Manager is also available to manage cord direction change.

# Wire management

ie offers integrated wire management for post-and-beam structures and a casual wire solution to serve freestanding applications.

- 4-, 5-, 7- and 8-wire electrical systems meet technology-intensive demands
- Power/communications is routed to workstations through 2-, 8- and 10-foot Power Poles, and fed directly into the Service Beam for cable routing
- Service Beam Power Bars provide single- or double-sided power access

- Posts at Service Beam level are hallowed, allowing cables to internally wrap around the post
- Power/communications is delivered to the worksurface via Plug-In Power Boxes and other power box options available from Teknion's Complements program
- Distribution Boxes and Desk-Mounted Power & Data Boxes provide casual power/communications to workstations, available with under-worksurface wire managers from the Complements program

# Pod planning

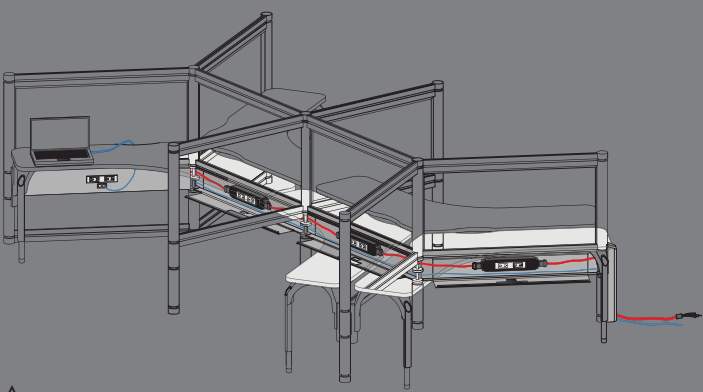
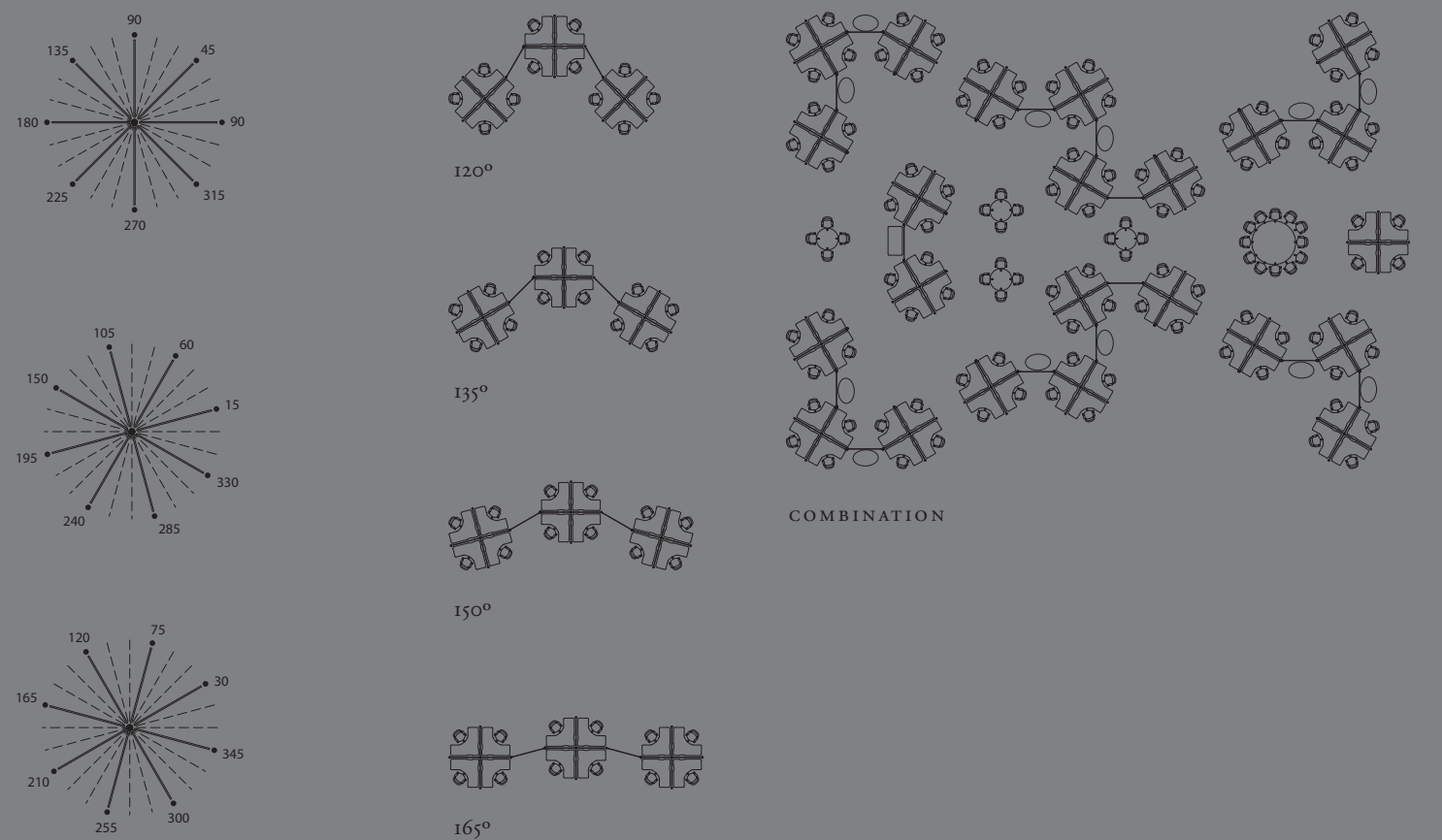


^ SERVICE BEAM  
The Service Beam is an integrated horizontal support structure used to house and route power and data cables. It is available with a solid hinged door or power/data access door.

^ DESK-MOUNTED POWER & DATA BOX  
The Desk-Mounted Power & Data Box provides access to power/data above the worksurface.

^ PLUG-IN POWER BOX  
The Plug-In Power Box provides casual power/data access in both post- and desk-mounted applications.

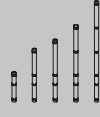
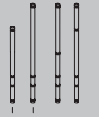

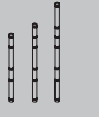
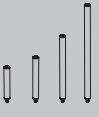


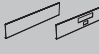
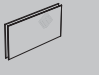


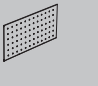

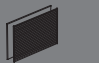
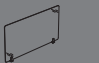

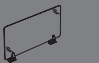


# Angle connections




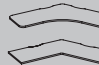


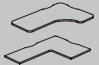

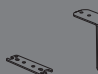









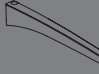

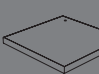
^ BASE-FED POWER/COMMUNICATIONS

# At a glance


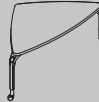




## Frame Structure & Screens

<p>fully segmented post h 23"-83"</p> 	<p>semi-segmented post h 63"-83"</p> 	<p>non-segmented post h 23"-83"</p> 	<p>transition post h 51"-83"</p> 	<p>add-on post h 20"-60"</p> 	<p>beam w 12"-114"</p> 	<p>service beam w 18"-72"</p> 	<p>service beam door w 18"-72"</p> 	<p>fabric inset screen h 14"-60" w 18"-72"</p> 	<p>membrane screen h 20"-80" w 18"-114"</p> 	<p>translucent inset screen h 20"-80" w 18"-96"</p> 	<p>metal inset screen h 14", 20" w 18"-72"</p> 
<p>whiteboard inset screen h 20"-40" w 18"-72"</p> 	<p>accessory inset screen h 20", 28" w 18"-72"</p> 	<p>clamp-on translucent screen h 12", 20" w 18"-72"</p> 	<p>desk-mounted screen h 14" w 30"-72"</p> 	<p>desk-mounted edge screen h 14" w 18"-36"</p> 	<p>divisional screen h 14" w 24"-36"</p> 	<p>privacy screen h 83" w 36", 42"</p> 					

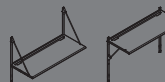



## Worksurfaces & Supports

<p>rectangular worksurface d 18"-30" w 30"-72"</p> 	<p>120° corner worksurface d<sub>(asb)</sub>18"-30" w 42"-60"</p> 	<p>120° corner worksurface with keyboard surface d<sub>(asb)</sub>24", 30" w 48"-60"</p> 	<p>120° triangular corner worksurface w 36"-60" l 60"-100"</p> 	<p>90° offset corner worksurface d<sub>(asb)</sub>18"-30" w(a) 36"-54" w(b) 54"-72"</p> 	<p>90° offset corner worksurface with keyboard surface d<sub>(asb)</sub>24", 30" w(a) 48", 54" w(b) 54"-72"</p> 	<p>table connectors</p> 	<p>90° corner worksurface d<sub>(asb)</sub>18"-30" w 48"-60"</p> 	<p>arched extension worksurface d 10" w 48", 60"</p> 	<p>rectangular extension worksurface d 18" w 48", 60"</p> 	<p>semi-circular extension worksurface d 25" w 48", 72"</p> 	<p>bench worksurface d 24"-36" w 60", 120"</p> 	<p>countertop d 14" w 36"-72"</p> 
<p>table bracket h 26"-32"</p> 	<p>table leg h 26"-32"</p> 	<p>cantilever bracket h 26"-32"</p> 	<p>cantilever foot d 24", 30"</p> 	<p>beam mounted worksurface support</p> 	<p>pedestal supporting bracket kit d 18"-28"</p> 							




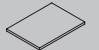

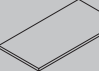


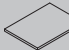
## Tables

<p>rectangular table d 30", 36" w 48"-72"</p> 	<p>triangular table w 42", 48"</p> 	<p>oval table d 36" w 60"</p> 	<p>semi-circular table w 48"-72"</p> 	<p>round table dia 36"-48"</p> 	<p>round mobile side table dia 24"-36"</p> 
---	--	---	---	--	--

## Mounted Storage & Accessories

<p>shelf h 20", 28" d 14" w 24"-36"</p> 	<p>modesty panel h 14" w 30"-72"</p> 	<p>elliptical baffle dia 36"</p> 	<p>linear baffle d 36" w 24"-48"</p> 
---	--	--	---

## Freestanding Storage

<p>mobile pedestal h 23.8", 25.4", 30.2" d 18", 22", 28" w 15"</p> 	<p>tall mobile pedestal h 51" d 18", 22", 28" w 15"</p> 	<p>freestanding pedestal h 20.8", 24", 27.2" d 18", 22", 28" w 15"</p> 	<p>pedestal top d 24", 30" w 15"</p> 	<p>stretch pedestal h 27.2" d 18" w 30"-42"</p> 	<p>stretch pedestal top d 18" w 30"-42"</p> 	<p>mobile pedestal with seat h 25.8" d 22" w 15"</p> 	<p>kiosk h 41.5", 51" d 22" w 18"</p> 	<p>kiosk top d 22" w 18"</p> 
--	---	--	---	---	---	--	---	--

# Movinord

Office Concept

Λεωφ. Κηφισίας 256, Χαλάνδρι Τ.Κ. 152 31  
ΤΗΛ. +30 210 6141550, 210 2532233, FAX: +30 210 2532235

Λαέρτου 22, Πυλαία, Θεσσαλονίκη, Capital Trade Center, κτίριο C  
ΤΗΛ./Fax. +30 2310 472584, ΚΙΝ. +30 6947004736

[info@movinord.com.gr](mailto:info@movinord.com.gr)  
[www.movinord.com.gr](http://www.movinord.com.gr)