

Multipurpose armchair for the home or business establishments.

Thanks to its geometric design, many units can be grouped together to create elegant configuration in common areas.

Its arms in different and very closely researched sizes mean that you can work on your tablet on the wide arm and even have an auxiliary table with a built-in support.

A new version is now available with two thin arms for smaller spaces.

TECHNICAL INFO

Solid wood structure covered by expanded polyurethane foam and polyester fiber.

Calibrated steel structure powder coated steel tube in thermoreinforced polyester in black or white with transparent glides. Tips in transparent PP injected.

The auxiliary table is manufactured in powder coated MDF in the colours of our collection and is symmetrical so it can be used on the right or the left alike.

Fixed upholstery.

FINISHES

Check upholstery samples.

Legs



white
RAL 9003



black
RAL 9005

Table



white
RAL 9003



black
RAL 9005



sand
NCS 3005Y50R



tobacco
RAL 8028



smoke grey
NCS 4005Y20R



silver
RAL 9006



red
RAL 3001



moustard
RAL 1012



green
RAL 6007



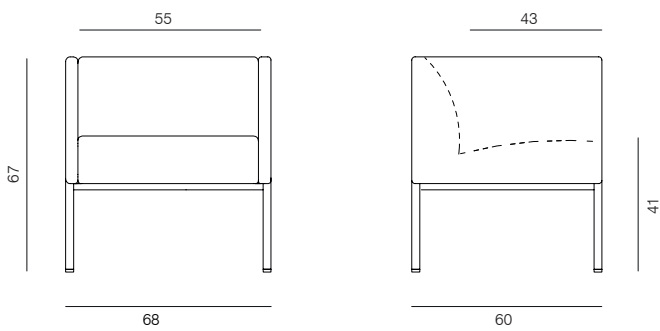
blue
RAL 5024

CERTIFICATES

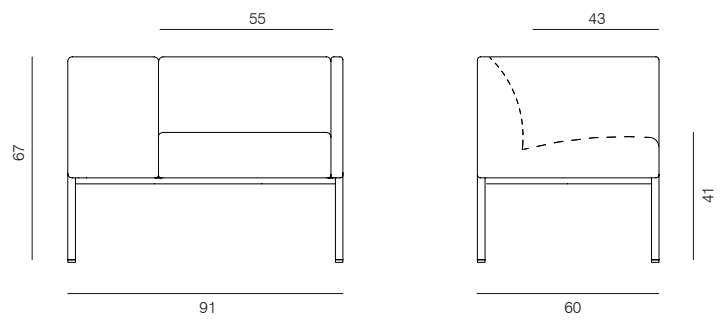




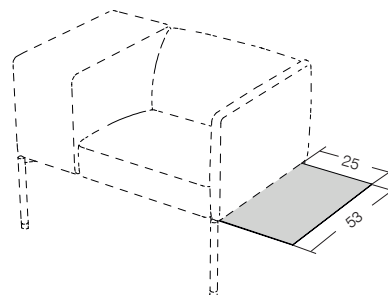
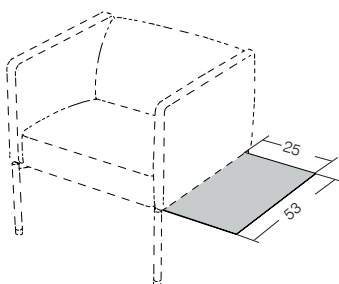
BRIXE - armchair thin



BRIX - armchair



BRIM - table



KENSAKU OSHIROJapan



Kensaku Oshiro was born in Okinawa, Japan, in 1977. He moved to Milan, Italy, in 1996.

After gaining a Master's degree in Industrial Design at the Scuola Politecnica di Design in Milan in 1999, he began working with various studios until 2004, when he joined the design team at Lissoni Associati where he worked until mid-2012.

In June 2012, Kensaku moved to London to join BarberOsgerby studio, where he continues his career as a freelancer.

He has participated in numerous exhibitions and competitions and has obtained a range of prestigious international awards such as: Design Report Award (2006), Elle Décor France Design Award (2006), Red Dot Award (2008), IF Design Award (2009), Young & Design (2012), Cristalplant + Poliform Design Contest (2012) and Gandia Blasco Outdoor Design Contest (2012).

Kensaku Oshiro works with Frag, Glas Italia, Ligne Roset, Mogg, Poliform, Viccarbe, and Varaschin.
