

PENTA design Toan Nguyen 2011



An armchair with a strong personality and balanced proportions for the home and public spaces. Featuring superior comfort, it is designed as a 73 cm standard table chair for the home, restaurants or as a guest chair in hotel and office waiting areas. A swivel base with concealed base is also available.

TECHNICAL INFO

Inner structure covered in shape-holding moulded polyurethane foam.  
The swivel option with the hidden base is also available.  
Fixed upholstery.

FINISHES

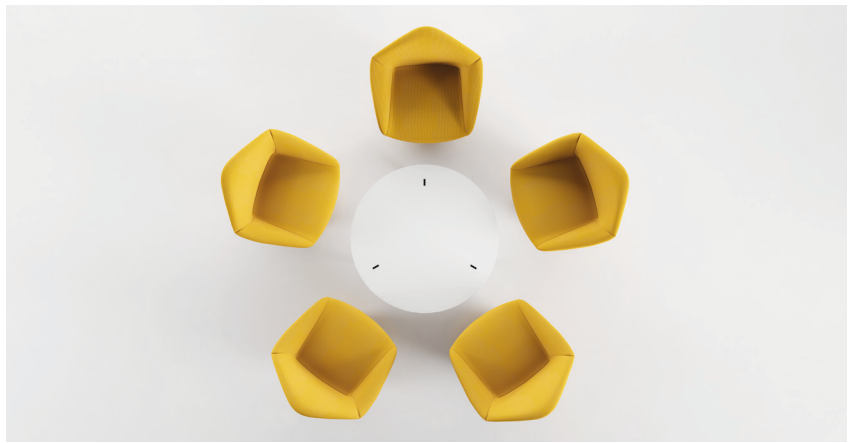
Check upholstery samples

CERTIFICATES

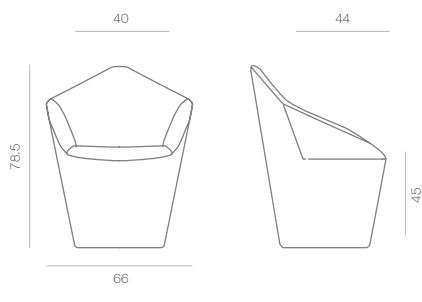


PENTA

design Toan Nguyen 2011



ARMCHAIR



PROJECTS

W Hotel | ViccarbeStudio | Crown Seaways Barco | Tokyo Science University | Edificio Feria Valencia | VALLILA Showroom | GlaxoSmithKline | Interiors INC | DZINE Showroom | Linea Los Angeles | Buromodern | LP House | Auditorio y Palacio de Congresos de Castellón

---

**TOAN NGUYEN** France

---



Toan Nguyen was born in Paris in 1969 and graduated in Industrial Design at ENSCI-Les Ateliers in Paris, in 1995. After experiences in several design studios in Paris, Barcelona and Milan and notably ten years of collaboration with Antonio Citterio as design director and design partner, signing products for many brands such as Axor-Hansgrohe, B&B Italia, Flos, Fusital, Guzzini, Iittala, Kartell, Metalco, Skantherm, Technogym or Vitra, Toan Nguyen founded his own design studio based in Milan in 2008.

Toan Nguyen Studio is a multidisciplinary Atelier focused on design development in many different design fields, from furniture to technological products, in partnership with leading international companies based in Italy, Germany, Switzerland, Spain and USA such as Accademia, Dedon, Moroso, Urmet Group, Varaschin, Viccarbe and Walter Knoll.

The Bellows Collection designed for Walter Knoll has won a Red Dot Design Award in 2010.

---